

AF AXTION FLEX

 USA BRAND

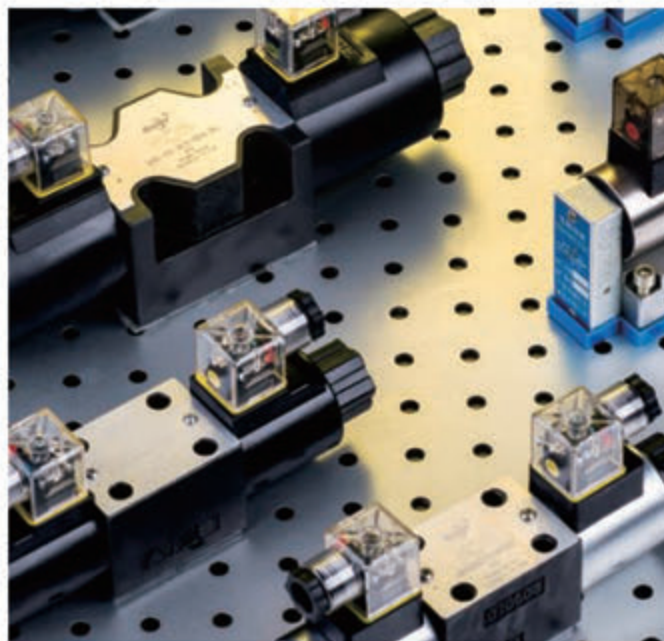
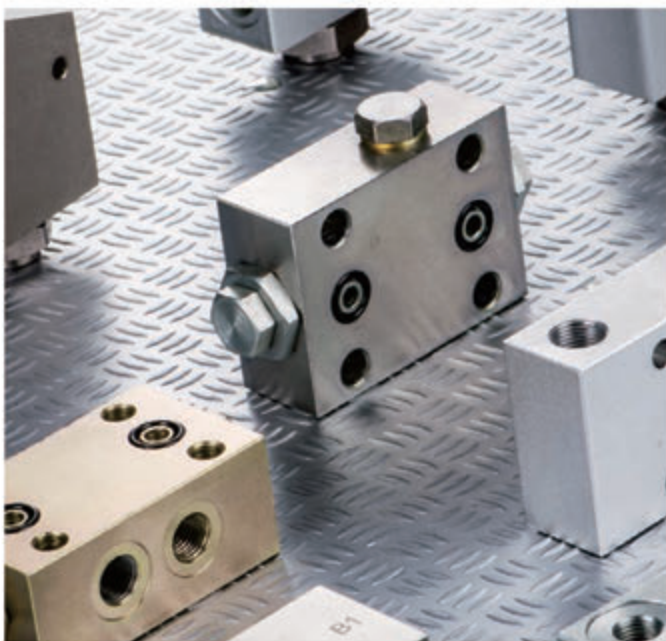


VALVES, PUMPS & ACCESSORIES

www.axxionflex.com

AF AXXION FLEX

VALVES, PUMPS & ACCESSORIES





KHB(BKH), KHM(MKH) Series High Pressure Ball Valve

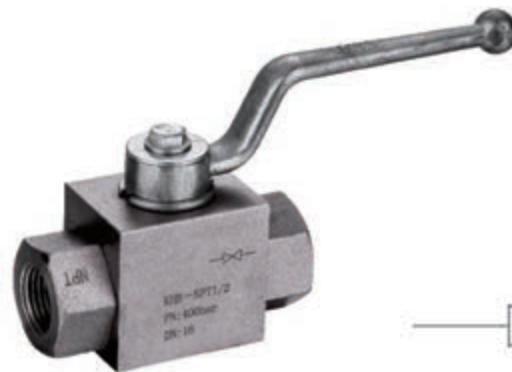
| Model | PN (bar) | DN |
|-------------|----------|----|
| KHB-M16×1.5 | 500 | 06 |
| KHB-M22×1.5 | 500 | 08 |
| KHB-M27×1.5 | 500 | 10 |
| KHB-M30×1.5 | 500 | 16 |
| KHB-M36×2 | 400 | 20 |
| KHB-M42×2 | 350 | 25 |
| KHB-M52×2 | 350 | 32 |
| KHB-M60×2 | 350 | 40 |



| Model | PN (bar) | DN |
|------------|----------|----|
| KHB-G1/8 | 500 | 04 |
| KHB-G1/4 | 500 | 06 |
| KHB-G3/8 | 500 | 10 |
| KHB-G1/2 | 500 | 13 |
| KHB-G1/2 | 500 | 16 |
| KHB-G3/4 | 400 | 20 |
| KHB-G1 | 350 | 25 |
| KHB-G1 1/4 | 350 | 32 |
| KHB-G1 1/2 | 350 | 40 |
| KHB-G2 | 350 | 50 |



| Model | PN (bar) | DN |
|--------------|----------|----|
| KHB-NPT1/8 | 500 | 04 |
| KHB-NPT1/4 | 500 | 06 |
| KHB-NPT3/8 | 500 | 10 |
| KHB-NPT1/2 | 500 | 13 |
| KHB-NPT1/2 | 500 | 16 |
| KHB-NPT3/4 | 400 | 20 |
| KHB-NPT1 | 350 | 25 |
| KHB-NPT1 1/4 | 350 | 32 |
| KHB-NPT1 1/2 | 350 | 40 |
| KHB-NPT2 | 350 | 50 |



| Model | PN (bar) | DN |
|----------|----------|----|
| KHB-06LR | 500 | 04 |
| KHB-08LR | 500 | 06 |
| KHB-10LR | 500 | 08 |
| KHB-12LR | 500 | 10 |
| KHB-15LR | 500 | 12 |
| KHB-15LR | 500 | 13 |
| KHB-18LR | 500 | 13 |
| KHB-18LR | 500 | 16 |
| KHB-22LR | 400 | 20 |
| KHB-28LR | 350 | 25 |
| KHB-35LR | 350 | 32 |
| KHB-42LR | 350 | 40 |



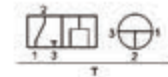
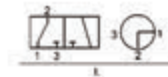


| Model | PN (bar) | DN |
|----------|----------|----|
| KHB-08SR | 500 | 04 |
| KHB-10SR | 500 | 06 |
| KHB-12SR | 500 | 08 |
| KHB-14SR | 500 | 10 |
| KHB-16SR | 500 | 12 |
| KHB-16SR | 500 | 13 |
| KHB-20SR | 500 | 13 |
| KHB-20SR | 500 | 16 |
| KHB-25SR | 400 | 20 |
| KHB-30SR | 350 | 25 |
| KHB-38SR | 350 | 32 |

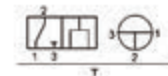
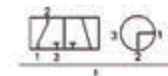


KHB3K(BK3) Two-position Three-way High Pressure Ball Valve

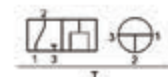
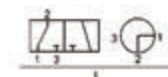
| Model | PN (bar) | DN |
|---------------|----------|----|
| KHB3K-M16×1.5 | 400 | 06 |
| KHB3K-M22×1.5 | 400 | 08 |
| KHB3K-M27×1.5 | 400 | 10 |
| KHB3K-M30×1.5 | 350 | 16 |
| KHB3K-M36×2 | 350 | 20 |
| KHB3K-M42×2 | 350 | 25 |
| KHB3K-M52×2 | 350 | 32 |
| KHB3K-M60×2 | 350 | 40 |



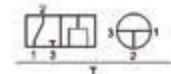
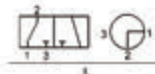
| Model | PN (bar) | DN |
|--------------|----------|----|
| KHB3K-G1/8 | 400 | 04 |
| KHB3K-G1/4 | 400 | 06 |
| KHB3K-G3/8 | 400 | 10 |
| KHB3K-G1/2 | 400 | 13 |
| KHB3K-G1/2 | 350 | 16 |
| KHB3K-G3/4 | 350 | 20 |
| KHB3K-G1 | 350 | 25 |
| KHB3K-G1 1/4 | 350 | 32 |
| KHB3K-G1 1/2 | 350 | 40 |
| KHB3K-G2 | 350 | 50 |



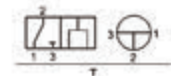
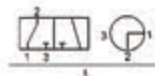
| Model | PN (bar) | DN |
|----------------|----------|----|
| KHB3K-NPT1/8 | 400 | 04 |
| KHB3K-NPT1/4 | 400 | 06 |
| KHB3K-NPT3/8 | 400 | 10 |
| KHB3K-NPT1/2 | 350 | 13 |
| KHB3K-NPT1/2 | 350 | 16 |
| KHB3K-NPT3/4 | 350 | 20 |
| KHB3K-NPT1 | 350 | 25 |
| KHB3K-NPT1 1/4 | 350 | 32 |
| KHB3K-NPT1 1/2 | 350 | 40 |
| KHB3K-NPT2 | 350 | 50 |



| Model | PN (bar) |
|------------|----------|
| KHB3K-06LR | 400 |
| KHB3K-08LR | 400 |
| KHB3K-10LR | 400 |
| KHB3K-12LR | 400 |
| KHB3K-15LR | 350 |
| KHB3K-15LR | 350 |
| KHB3K-18LR | 350 |
| KHB3K-18LR | 350 |
| KHB3K-22LR | 350 |
| KHB3K-28LR | 350 |
| KHB3K-35LR | 350 |
| KHB3K-42LR | 350 |



| Model | PN (bar) |
|------------|----------|
| KHB3K-08SR | 400 |
| KHB3K-10SR | 400 |
| KHB3K-12SR | 400 |
| KHB3K-14SR | 400 |
| KHB3K-16SR | 350 |
| KHB3K-16SR | 350 |
| KHB3K-20SR | 350 |
| KHB3K-20SR | 350 |
| KHB3K-25SR | 350 |
| KHB3K-30SR | 350 |
| KHB3K-38SR | 350 |



KHB3K(BK3) Two-position Three-way High Pressure Ball Valve

| Model | PN (bar) |
|--------------|----------|
| VH2V-M16×1.5 | 500 |
| VH2V-M27×1.5 | 500 |
| VH2V-M36×2 | 400 |
| VH2V-M42×2 | 350 |



| Model | PN (bar) |
|-----------|----------|
| VH2V-G1/4 | 500 |
| VH2V-G3/8 | 500 |
| VH2V-G1/2 | 500 |
| VH2V-G3/4 | 400 |
| VH2V-G1 | 350 |





| Model | PN (bar) | DN |
|-------------|----------|----|
| VH2V-NPT1/4 | 500 | 06 |
| VH2V-NPT3/8 | 500 | 10 |
| VH2V-NPT1/2 | 500 | 13 |
| VH2V-NPT3/4 | 400 | 20 |
| VH2V-NPT1 | 350 | 25 |

| Model | PN (bar) | DN |
|-----------|----------|----|
| VH2V-08LR | 500 | 06 |
| VH2V-10LR | 500 | 08 |
| VH2V-12LR | 500 | 10 |
| VH2V-15LR | 500 | 13 |
| VH2V-18LR | 500 | 13 |
| VH2V-22LR | 400 | 20 |
| VH2V-28LR | 350 | 25 |

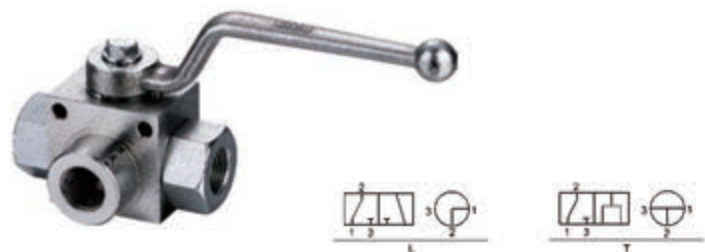
| Model | PN (bar) | DN |
|-----------|----------|----|
| VH2V-10SR | 500 | 06 |
| VH2V-12SR | 500 | 08 |
| VH2V-14SR | 500 | 10 |
| VH2V-16SR | 500 | 13 |
| VH2V-20SR | 500 | 13 |
| VH2V-25SR | 400 | 20 |
| VH2V-30SR | 350 | 25 |



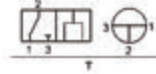
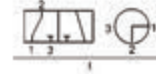
VH3V Series Two-position Three-way High Pressure Ball Valve

| Model | PN (bar) | DN |
|--------------|----------|----|
| VH3V-M16×1.5 | 400 | 06 |
| VH3V-M27×1.5 | 400 | 10 |
| VH3V-M36×2 | 350 | 20 |
| VH3V-M42×2 | 350 | 25 |

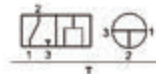
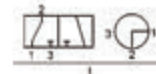
| Model | PN (bar) | DN |
|-----------|----------|----|
| VH3V-G1/4 | 400 | 06 |
| VH3V-G3/8 | 400 | 10 |
| VH3V-G1/2 | 350 | 13 |
| VH3V-G3/4 | 350 | 20 |
| VH3V-G1 | 350 | 25 |



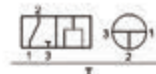
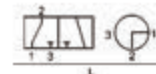
| Model | PN (bar) | DN |
|-------------|----------|----|
| VH3V-NPT1/4 | 400 | 06 |
| VH3V-NPT3/8 | 400 | 10 |
| VH3V-NPT1/2 | 350 | 13 |
| VH3V-NPT3/4 | 350 | 20 |
| VH3V-NPT1 | 350 | 25 |



| Model | PN (bar) | DN |
|-----------|----------|----|
| VH3V-08LR | 400 | 06 |
| VH3V-10LR | 400 | 08 |
| VH3V-12LR | 400 | 10 |
| VH3V-15LR | 350 | 13 |
| VH3V-18LR | 350 | 13 |
| VH3V-22LR | 350 | 20 |
| VH3V-28LR | 350 | 25 |

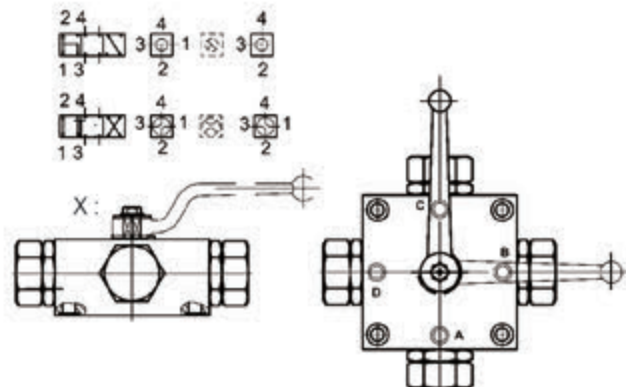


| Model | PN (bar) | DN |
|-----------|----------|----|
| VH3V-10SR | 400 | 06 |
| VH3V-12SR | 400 | 08 |
| VH3V-14SR | 400 | 10 |
| VH3V-16SR | 350 | 13 |
| VH3V-20SR | 350 | 13 |
| VH3V-25SR | 350 | 20 |
| VH3V-30SR | 350 | 25 |



KH4 4 Way Ball Valve

| Model | PN (bar) | DN |
|----------------|----------|----|
| BLV-KH4-DN06-B | 500 | 06 |
| BLV-KH4-DN10-B | 500 | 10 |
| BLV-KH4-DN13-B | 400 | 13 |
| BLV-KH4-DN20-B | 350 | 20 |
| BLV-KH4-DN25-B | 350 | 25 |
| BLV-KH4-DN32-B | 350 | 32 |
| BLV-KH4-DN40-B | 350 | 40 |





| Model | PN (bar) |
|-------------------|----------|
| BLV-KH4-DN04-G1/8 | 500 |
| BLV-KH4-DN06-G1/4 | 500 |
| BLV-KH4-DN10-G3/8 | 500 |
| BLV-KH4-DN16-G1/2 | 350 |
| BLV-KH4-DN20-G3/4 | 350 |

DIN ISO 228G

| Model | PN (bar) |
|-----------------------|----------|
| BLV-KH4-DN04-M12X1.25 | 500 |
| BLV-KH4-DN04-M16X1.5 | 500 |
| BLV-KH4-DN04-M22X1.5 | 500 |
| BLV-KH4-DN04-M27X1.5 | 500 |
| BLV-KH4-DN04-M30X1.5 | 350 |
| BLV-KH4-DN04-M36X2 | 350 |

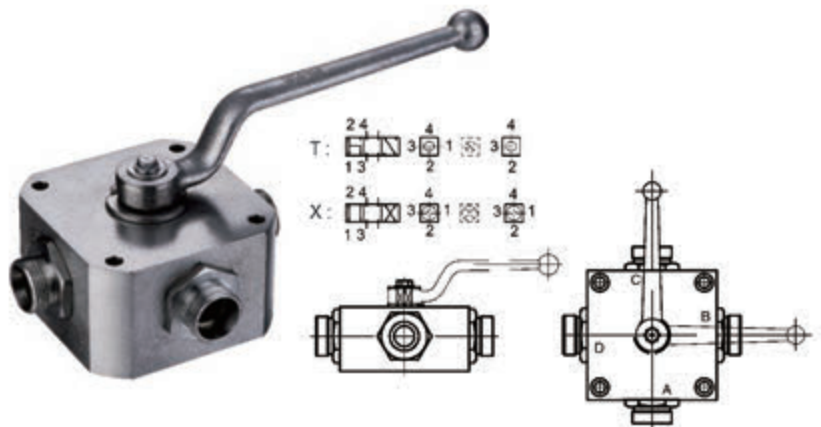
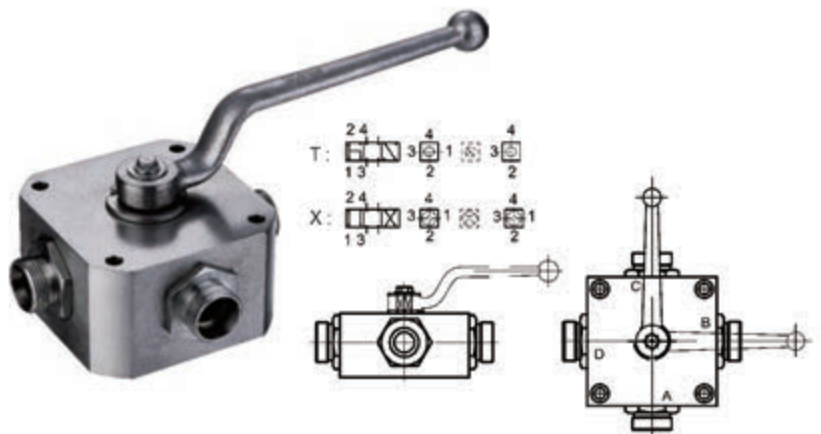
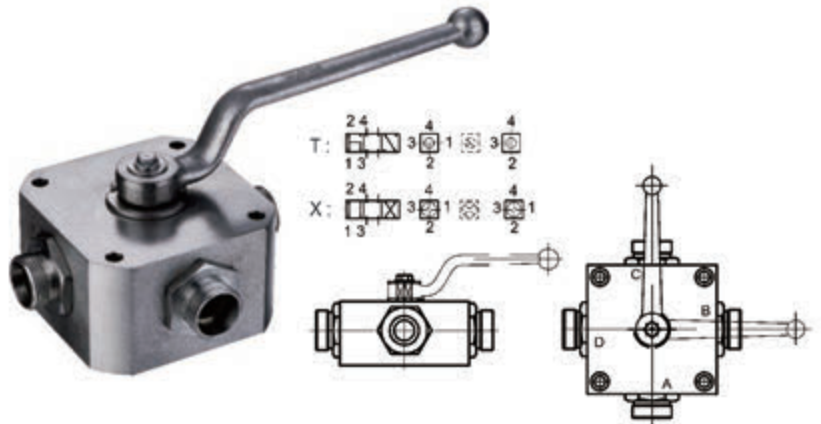
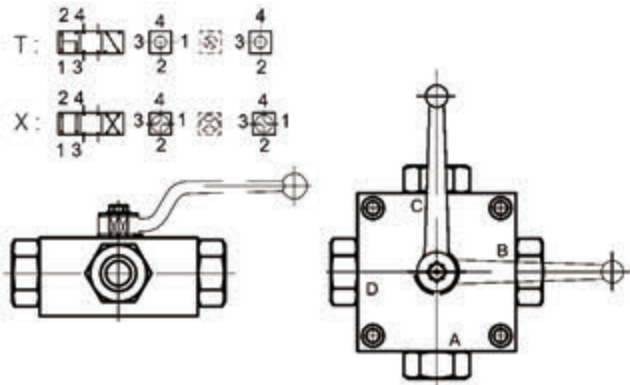
JB984-77

| Model | PN (bar) |
|-------------------|----------|
| BLV-KH4-DN04-06LR | 500 |
| BLV-KH4-DN04-08LR | 500 |
| BLV-KH4-DN04-10LR | 500 |
| BLV-KH4-DN04-12LR | 500 |
| BLV-KH4-DN04-15LR | 400 |
| BLV-KH4-DN04-18LR | 350 |
| BLV-KH4-DN04-22LR | 350 |

DIN 2353 L

| Model | PN (bar) |
|-------------------|----------|
| BLV-KH4-DN04-08SR | 500 |
| BLV-KH4-DN04-10SR | 500 |
| BLV-KH4-DN04-12SR | 500 |
| BLV-KH4-DN04-14SR | 500 |
| BLV-KH4-DN04-16SR | 400 |
| BLV-KH4-DN04-20SR | 350 |
| BLV-KH4-DN04-25SR | 350 |

DIN 2353 S



KHBF(KHMF)Series Flange Ball Valve

| Model | Pressure Range(bar) | |
|----------|---------------------|----|
| KHBF-016 | 10-40 | 16 |
| KHBF-016 | 60-160 | |
| KHBF-016 | 250-315 | |
| KHBF-020 | 10-40 | 20 |
| KHBF-025 | 10-40 | |
| KHBF-025 | 63-160 | |
| KHBF-025 | 250 | 25 |
| KHBF-025 | 315 | |
| KHBF-032 | 10-40 | |
| KHBF-032 | 63-160 | |
| KHBF-040 | 10-40 | 40 |
| KHBF-040 | 63-160 | |
| KHBF-040 | 250 | |
| KHBF-040 | 315 | 50 |
| KHBF-050 | 10-40 | |
| KHBF-050 | 63 | |
| KHBF-050 | 100-160 | 50 |
| KHBF-050 | 250 | |
| KHBF-050 | 315 | |



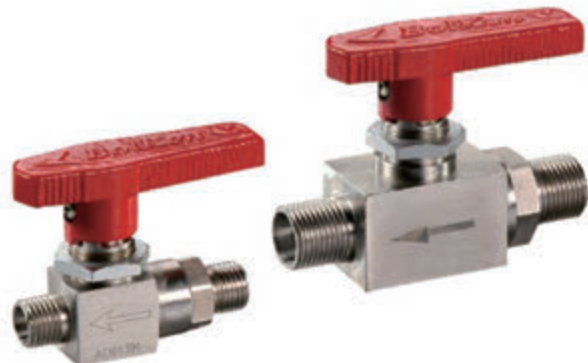
BKH,MKH Series High Pressure Ball Valve

| Model | PN (bar) | DN | L |
|-------------------|----------|----|-----|
| BKH-SAE-FS-210-13 | 210 | 13 | 151 |
| BKH-SAE-FS-420-13 | 420 | 13 | 151 |
| BKH-SAE-FS-210-20 | 210 | 20 | 162 |
| BKH-SAE-FS-420-20 | 420 | 20 | 174 |
| BKH-SAE-FS-210-25 | 210 | 25 | 178 |
| BKH-SAE-FS-420-25 | 420 | 25 | 198 |
| BKH-SAE-FS-210-32 | 210 | 32 | 191 |
| BKH-SAE-FS-420-32 | 420 | 32 | 223 |
| BKH-SAE-FS-210-40 | 210 | 40 | 231 |
| BKH-SAE-FS-420-40 | 420 | 40 | 281 |
| BKH-SAE-FS-210-50 | 210 | 50 | 232 |
| BKH-SAE-FS-420-50 | 420 | 50 | 316 |



BME Series High Pressure Ball Valve

| Model | PN (bar) | DN |
|-----------|----------|----|
| BME-LR-08 | 350 | 08 |
| BME-LR-12 | 350 | 12 |





BEH-SAE Series Flange High Pressure Ball Valve

| Model | PN (bar) | DN |
|------------|----------|----|
| BEH-32-SAE | 400 | 32 |
| BEH-40-SAE | 400 | 40 |
| BEH-50-SAE | 400 | 50 |



KHP(PKH) 2-way Ball Valve For Manifold Mounting

| Model | PN (bar) | DN |
|--------|----------|----|
| KHP-06 | 500 | 06 |
| KHP-10 | 500 | 10 |
| KHP-16 | 400 | 16 |
| KHP-20 | 400 | 20 |
| KHP-25 | 350 | 25 |
| KHP-32 | 350 | 32 |
| KHP-40 | 350 | 40 |
| KHP-50 | 350 | 50 |



Mining Connection High Pressure Ball Valve

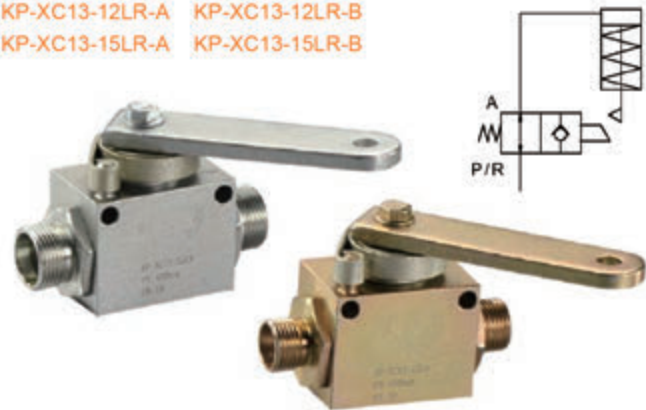
| Model | PN (bar) | DN |
|---------|----------|----|
| 6A | 500 | 06 |
| 10A | 500 | 13 |
| 12A | 500 | 16 |
| 20A | 400 | 20 |
| 25A | 350 | 25 |
| 32A | 350 | 32 |
| 6A-6B | 500 | 06 |
| 10A-10B | 500 | 13 |
| 12A-12B | 500 | 16 |
| 20A-20B | 400 | 20 |
| 25A-25B | 350 | 25 |
| 32A-32B | 350 | 32 |
| 6B | 500 | 06 |
| 10B | 500 | 13 |
| 12B | 500 | 16 |
| 20B | 400 | 20 |
| 25B | 350 | 25 |
| 32B | 350 | 32 |



KP-XC13 Series Stroke Control High Pressure Ball Valve

| Model | PN (bar) | d1 | d2 | Thread Join Dimensions |
|----------------|----------|----|----|------------------------|
| KP-XC13-12LR-* | 400 | 10 | 12 | M18X1.5 |
| KP-XC13-15LR-* | 400 | 13 | 15 | M22X1.5 |

KP-XC13-12LR-A KP-XC13-12LR-B
 KP-XC13-15LR-A KP-XC13-15LR-B



KHB Ball Valve with Pneumatic Actuators

| Model | PN (bar) | DN | L |
|-----------|----------|----|------------------------------------|
| Q04-KHB-* | 500 | 04 | Following the interface of the KHB |
| Q06-KHB-* | 500 | 06 | |
| Q08-KHB-* | 500 | 08 | |
| Q10-KHB-* | 500 | 10 | |
| Q13-KHB-* | 500 | 13 | |
| Q16-KHB-* | 500 | 16 | |
| Q20-KHB-* | 400 | 20 | |
| Q25-KHB-* | 350 | 25 | |
| Q32-KHB-* | 350 | 32 | |
| Q40-KHB-* | 350 | 40 | |
| Q50-KHB-* | 350 | 50 | |



1PC Type Ball Valve

| DN | G |
|----|--------|
| 8 | 1/4" |
| 10 | 3/8" |
| 15 | 1/2" |
| 20 | 3/4" |
| 25 | 1" |
| 32 | 1 1/4" |
| 40 | 1 1/2" |
| 50 | 2" |
| 65 | 2 1/2" |
| 80 | 3" |





| DN | G |
|-----|--------|
| 8 | 1/4" |
| 10 | 3/8" |
| 15 | 1/2" |
| 20 | 3/4" |
| 25 | 1" |
| 32 | 1 1/4" |
| 40 | 1 1/2" |
| 50 | 2" |
| 65 | 2 1/2" |
| 80 | 3" |
| 100 | 4" |

| Nominal Size | d |
|--------------|----|
| 1/4" | 5 |
| 3/8" | 7 |
| 1/2" | 9 |
| 3/4" | 12 |
| 1" | 15 |
| 1 1/4" | 20 |
| 1 1/2" | 25 |
| 2" | 32 |



2PC Type Ball Valve

| DN | G |
|-----|--------|
| 8 | 1/4" |
| 10 | 3/8" |
| 15 | 1/2" |
| 20 | 3/4" |
| 25 | 1" |
| 32 | 1 1/4" |
| 40 | 1 1/2" |
| 50 | 2" |
| 65 | 2 1/2" |
| 80 | 3" |
| 100 | 4" |

| DN | G |
|----|--------|
| 8 | 1/4" |
| 10 | 3/8" |
| 15 | 1/2" |
| 20 | 3/4" |
| 25 | 1" |
| 32 | 1 1/4" |
| 40 | 1 1/2" |
| 50 | 2" |



2PC Thread End Ball Valve

| DN | M |
|----|--------|
| 8 | 20X1.5 |
| 10 | 24X1.5 |
| 15 | 30X2 |
| 20 | 36X2 |
| 25 | 42X2 |
| 32 | 52X2 |
| 40 | 60X3 |
| 50 | 72X3 |



3PC Type Ball Valve

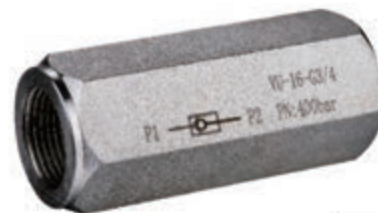
| DN | G |
|-----|--------|
| 8 | 1/4" |
| 10 | 3/8" |
| 15 | 1/2" |
| 20 | 3/4" |
| 25 | 1" |
| 32 | 1 1/4" |
| 40 | 1 1/2" |
| 50 | 2" |
| 65 | 2 1/2" |
| 80 | 3" |
| 100 | 4" |



VU Series Check Valve

| Model | PN (MPa) | DN | Thread Join Dimensions |
|----------|----------|----|------------------------|
| VU-08*** | 50 | 8 | G1/4 NPT1/4 |
| VU-10*** | 50 | 10 | G3/8 NPT3/8 |
| VU-12*** | 50 | 12 | G1/2 NPT1/2 |
| VU-16*** | 40 | 16 | G3/4 NPT3/4 |
| VU-20*** | 35 | 20 | G1 NPT1 |
| VU-25*** | 35 | 25 | G1 1/4 NPT1 1/4 |
| VU-30*** | 35 | 30 | G1 1/2 NPT1 1/2 |
| VU-40*** | 25 | 40 | G2 NPT2 |

Burst Pressure : 0.05MPa





S Series Check Valve

| Model | DN | Thread Join Dimensions |
|---------|----|------------------------|
| S06A*/1 | 6 | M14×1.5 |
| S06A*/2 | 6 | G1/4 " |
| S08A*/1 | 8 | M18×1.5 |
| S08A*/2 | 8 | G3/8 " |
| S10A*/1 | 10 | M22×1.5 |
| S10A*/2 | 10 | G1/2 " |
| S15A*/1 | 15 | M27×2 |
| S15A*/2 | 15 | G3/4 " |
| S20A*/1 | 20 | M33×2 |
| S20A*/2 | 20 | G1 " |
| S25A*/1 | 25 | M42×2 |
| S25A*/2 | 25 | G1 1/4 " |
| S30A*/1 | 30 | M48×2 |
| S30A*/2 | 30 | G1 1/2 " |



: 0=Without spring 1=0.05MPa, 2=0.15MPa, 3=0.3MPa, 5=0.5MPa

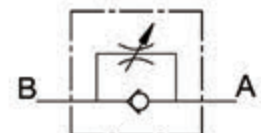
STB Throttle Valve

| Model | PN(MPa) | Q MAX(L/min) | Thread Join Dimensions |
|-------|---------|--------------|------------------------|
| STB04 | 40 | 12 | G1/4 NPT1/4 |
| STB06 | 40 | 30 | G3/8 NPT3/8 |
| STB08 | 40 | 50 | G1/2 NPT1/2 |
| STB12 | 40 | 85 | G3/4 NPT3/4 |
| STB16 | 32 | 150 | G1 NPT1 |



STU Type Throttle Check Valve

| Model | PN (MPa) | MAX(L/min) | Thread Join Dimensions |
|-------|----------|------------|------------------------|
| STU04 | 40 | 12 | G1/4 NPT1/4 |
| STU06 | 40 | 30 | G3/8 NPT3/8 |
| STU08 | 40 | 50 | G1/2 NPT1/2 |
| STU12 | 40 | 85 | G3/4 NPT3/4 |
| STU16 | 32 | 150 | G1 NPT1 |



VRFB Tubular Throttle Valve

| Model | PN (MPa) | DN | D |
|---------|----------|----|-------------|
| VRFB-04 | 32 | 06 | G1/4 NPT1/4 |
| VRFB-06 | 32 | 08 | G3/8 NPT3/8 |
| VRFB-08 | 32 | 10 | G1/2 NPT1/2 |
| VRFB-12 | 28 | 15 | G3/4 NPT3/4 |
| VRFB-16 | 25 | 20 | G1 NPT1 |



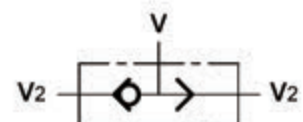
VRFU Tubular Throttle Check Valve

| Model | PN (MPa) | DN | D | Brush Pressure |
|---------|----------|----|-------------|----------------|
| VRFU-04 | 32 | 06 | G1/4 NPT1/4 | 0.5bar |
| VRFU-06 | 32 | 08 | G3/8 NPT3/8 | 0.5bar |
| VRFU-08 | 32 | 10 | G1/2 NPT1/2 | 0.5bar |
| VRFU-12 | 28 | 15 | G3/4 NPT3/4 | 0.5bar |
| VRFU-16 | 25 | 20 | G1 NPT1 | 0.5bar |



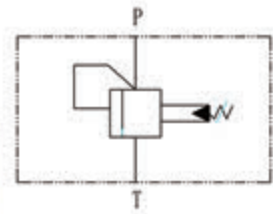
VU/SF Series Shuttle Valve

| Model | PN (MPa) | Q Max.flow (L/min) | Thread Join Dimensions |
|--------------|----------|--------------------|------------------------|
| VU/SF-01-1/4 | 50 | 20 | G1/4 NPT1/4 |
| VU/SF-02-3/8 | 50 | 45 | G3/8 NPT3/8 |
| VU/SF-03-1/2 | 50 | 80 | G1/2 NPT1/2 |
| VU/SF-04-3/4 | 35 | 110 | G3/4 NPT3/4 |
| VU/SF-05-1 | 30 | 150 | G1 NPT1 |



BO-XDK Pilot Valve

Rated Pressure: 32MPa
 Rated Flow: 113L/min
 Thread: PT3/4
 Applicable Medium: Hydraulic Oil



JZF Dish Type Low-pressure Stop Valve

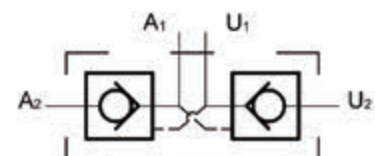
| Model | DN (mm) | PN (bar) | Mode of sealing at two ends |
|-----------|---------|----------|------------------------------|
| JZF-40F | 40 | 20 | Without O-ring groove |
| JZF-40FA | 40 | | Two ends have 60X3.1 O-ring |
| JZF-60F | 60 | | Without O-ring groove |
| JZF-65FA | 65 | | Two ends have 90X3.1 O-ring |
| JZF-80F | 80 | | Without O-ring groove |
| JZF-80FA | 80 | | Two ends have 106X5.3 O-ring |
| JZF-100F | 100 | | Without O-ring groove |
| JZF-100FB | 100 | | Two ends have 130X4 O-ring |
| JZF-150F | 150 | | Without O-ring groove |



DPOCV Dual Pilot Operating Check Valve

| Model | PN(MPa) | Q MAX (L/min) | Thread Join Dimensions |
|---------------|---------|---------------|------------------------|
| DPOCV-1/4-12L | 35 | 20 | G1/4 NPT1/4 |
| DPOCV-3/8-12L | 35 | 20 | G3/8 NPT3/8 |
| DPOCV-3/8-15L | 35 | 50 | G3/8 NPT3/8 |
| DPOCV-1/2-15L | 35 | 50 | G1/2 NPT1/2 |
| DPOCV-1/2-18L | 30 | 80 | G1/2 NPT1/2 |

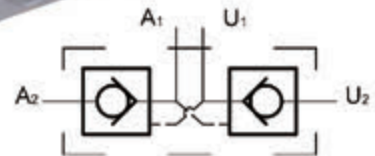
Burst Pressure : 0.35MPa





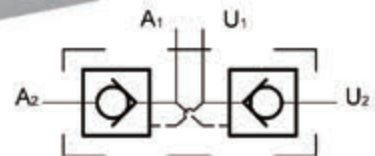
BLV-DHL*/*/-L/B-YT Type Dual Pilot Operating Check Valve

| Model | PN(MPa) | Q.Max (L/min) | Thread Join Dimensions |
|----------------------|----------------|---------------|------------------------|
| BLV-DHL 06/21-L/B-YT | /Steel: 35 | 30 | G3/8 |
| BLV-DHL 08/21-L/B-YT | /Aluminium: 21 | 50 | G1/2 |



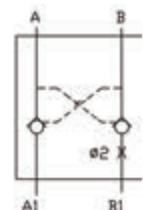
BLV-DHL*/*/-L-YT Type Dual Pilot Operating Check Valve

| Model | PN(MPa) | Q.Max (L/min) | Thread Join Dimensions |
|--------------------|----------------|---------------|------------------------|
| BLV-DHL 06/21-L-YT | /Steel: 35 | 30 | G3/8 |
| BLV-DHL 08/21-L-YT | /Aluminium: 21 | 50 | G1/2 |



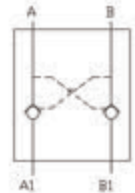
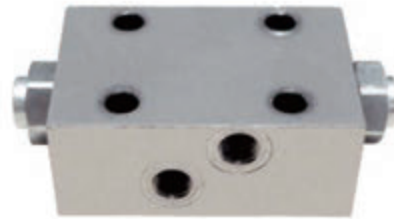
BLV-SYS08-42-SY Type Dual Pilot Operating Check Valve

Rated Flow: 25L/min
 Rated Pressure: 420bar
 Open Seal: 7:1
 Burst Pressure: 3.5bar



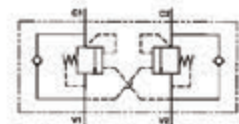
YSS-8BS-C Type Dual Pilot Operating Check Valve

Rated Flow: 40L/min
 Rated Pressure: 320bar
 Open Seal: 7:1
 Burst Pressure: 4bar



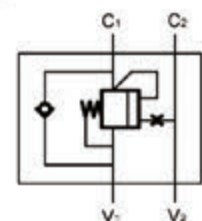
BLV-VBSO-DE33 Type Balance Valve

Nominal Pressure: 20/32 MPa
 Nominal Diameter: 10 mm
 Rated Flow: 120 L/min
 Control Pressure: 2~4.5MPa



BLV-BFD-10/35-L Type Balance Valve

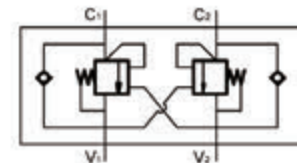
Nominal Pressure: 20/32 MPa
 Nominal Diameter: 9 mm
 Rated Flow: 120 L/min
 Control Pressure: 2~4.5MPa



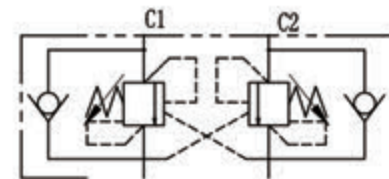
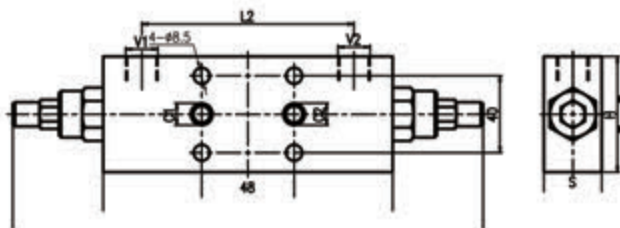


BLV-DBFD-10/35-L Type Dual Pilot Balance Valve

Nominal Pressure: 20/32 MPa
 Nominal Diameter: 10 mm
 Rated Flow: 120 L/min
 Control Pressure: 2~4.5MPa

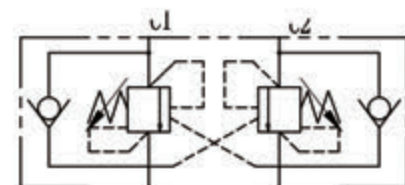
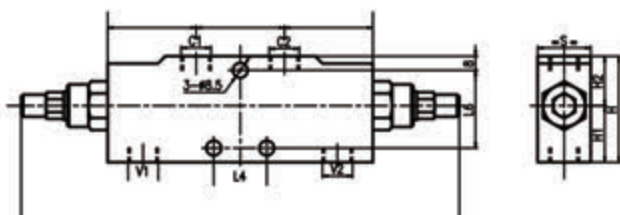


BLV-STPFB Type Balance Valve



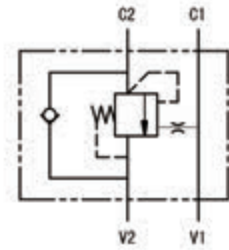
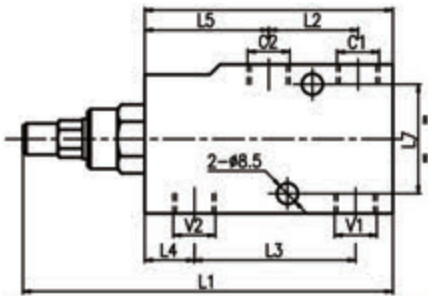
| Model | Pilot Ratio | Q L/min | PN Mpa | V1-V2 | C1-C2 mm | L mm | L1 mm | L2 mm | H mm | S mm | Weight Kg |
|----------------------|-------------|---------|--------|-------|----------|------|-------|-------|------|------|-----------|
| BLV-STPFBM-40-35-4.5 | 4.5:1 | 40 | 35 | G3/8 | Φ 9 | 150 | 248 | 110 | 60 | 30 | 2.01 |
| BLV-STPFBM-60-35-4.5 | 4.5:1 | 60 | 35 | G1/2 | Φ 9 | 150 | 248 | 110 | 60 | 30 | 1.98 |

BLV-STPFLM Type Balance Valve



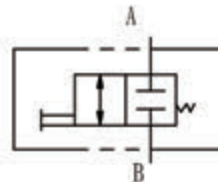
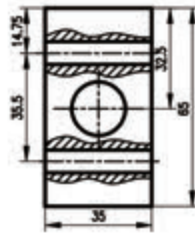
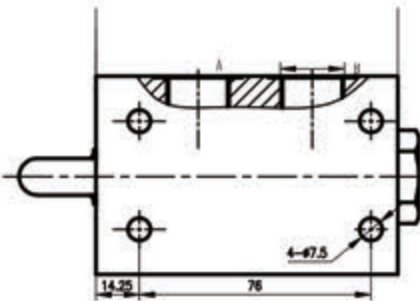
| Model | Pilot Ratio | Q L/min | PN Mpa | V1-V2 | L mm | L1 mm | L2 mm | L3 mm | L4 mm | L5 mm | L6 mm | H1 mm | H2 mm | H mm | S mm | Weight Kg |
|----------------------|-------------|---------|--------|-------|------|-------|-------|-------|-------|-------|-------|-------|-------|------|------|-----------|
| BLV-STPFLM-40-35-4.5 | 4.5:1 | 40 | 35 | G3/8 | 150 | 248 | 50 | 110 | 30 | 50 | 44 | 32 | 28 | 60 | 30 | 1.94 |
| BLV-STPFLM-60-35-4.5 | 4.5:1 | 60 | 35 | G1/2 | 150 | 248 | 50 | 110 | 30 | 50 | 44 | 32 | 28 | 60 | 30 | 1.89 |

BLV- TPFLM Type Balance Valve



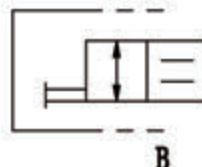
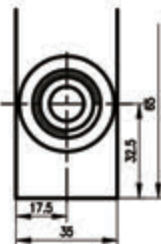
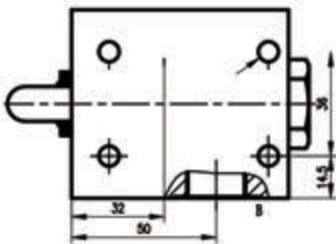
| Model | Pilot Ratio | Q L/min | PN Mpa | V1-V2 | L mm | L1 mm | L2 mm | L3 mm | L4 mm | L5 mm | L6 mm | L7 mm | H mm | S mm | Weight Kg |
|---------------------|-------------|---------|--------|-------|------|-------|-------|-------|-------|-------|-------|-------|------|------|-----------|
| BLV-TPFLM-40-35-4.5 | 4.5:1 | 40 | 35 | G3/8 | 100 | 149 | 30 | 60 | 20 | 50 | 55 | 44 | 60 | 30 | 1.26 |
| BLV-TPFLM-60-35-4.5 | 4.5:1 | 60 | 35 | G1/2 | 100 | 149 | 36 | 65 | 20 | 50 | 57.5 | 44 | 60 | 30 | 1.20 |

BLV-VMS-12/31.5 Schedule Control Valve



Nominal Pressure:31.5MPa Nominal Diameter:12mm

BLV-VMS-12/31.5-B Schedule Control Valve



Nominal Pressure:31.5MPa Nominal Diameter:12mm



SD Multiple Directional Control Valve

Technical Specifications

Rated Pressure: 25MPa

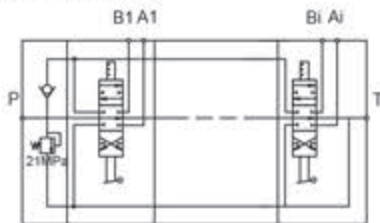
Rated Flow: 60L/ min

slide valve of Multiple branch circuit valve

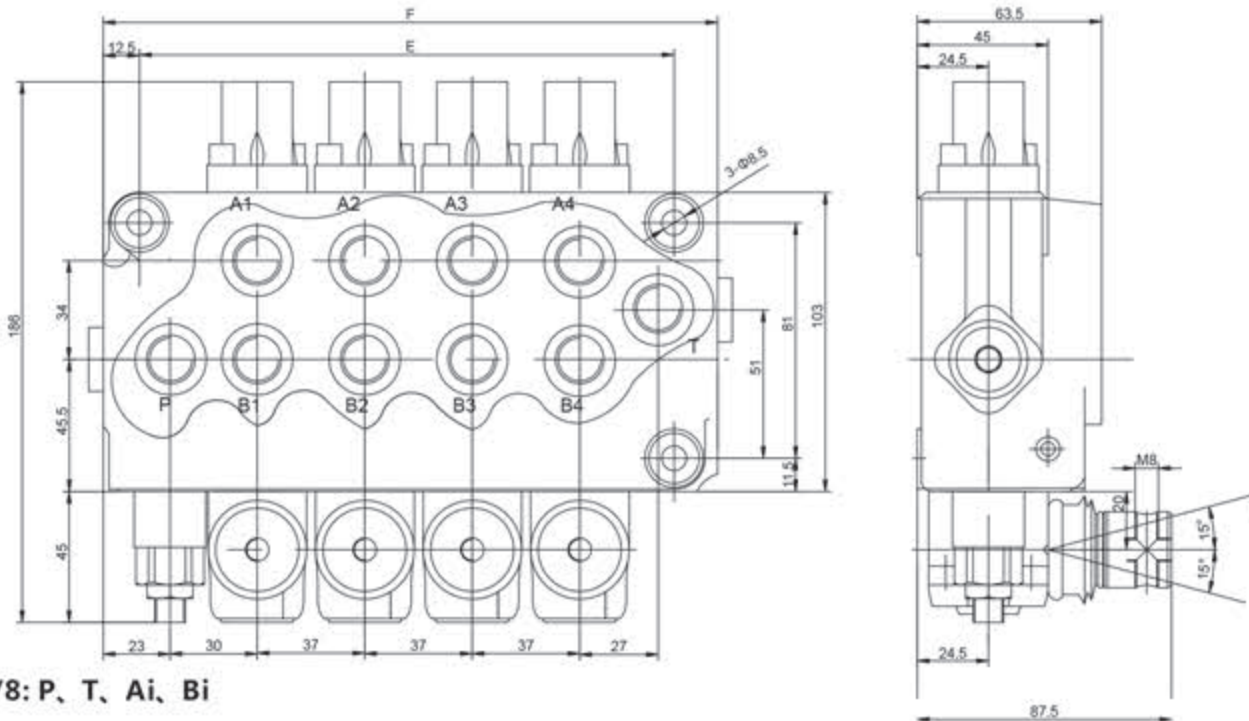
operating force: $F \leq 250N$;

overflow valve adjusted pressure: 23MPa

Function symbol



Overall Dimension



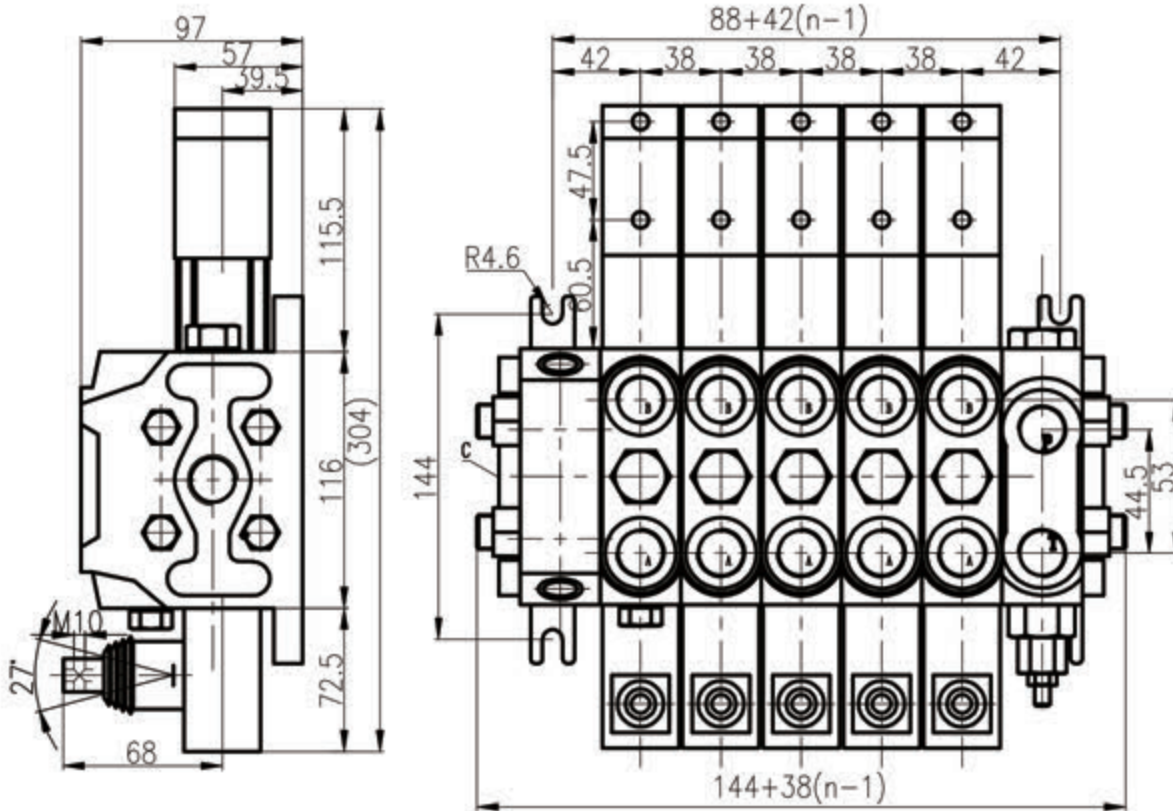
G3/8: P, T, Ai, Bi

| Model | E(mm) | F(mm) | Weight (Kg) |
|-------------------|-------|-------|-------------|
| SD-XDF16-1/1-31.5 | 100.5 | 73 | 3.5 |
| SD-XDF16-2/1-31.5 | 137.5 | 110 | 5.2 |
| SD-XDF16-3/1-31.5 | 174.5 | 147 | 6.9 |
| SD-XDF16-4/1-31.5 | 211.5 | 184 | 8.1 |
| SD-XDF16-5/1-31.5 | 248.5 | 221 | 10.1 |
| SD-XDF16-6/1-31.5 | 285.5 | 258 | 11.7 |
| SD-XDF16-7/1-31.5 | 322.5 | 295 | 13.2 |



BLV-SM

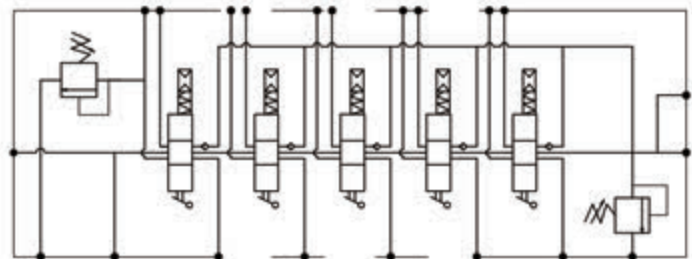
Dimensional data (parallel circuit)



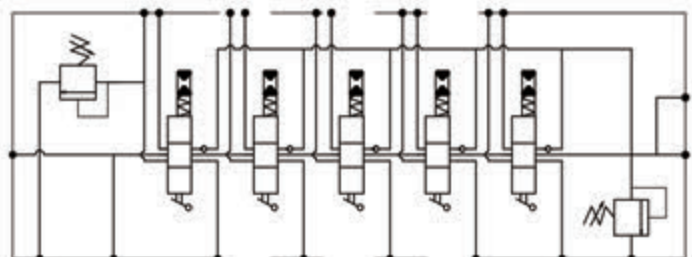
Rated flow: 50L/min
 Max. flow: 60L/min
 Max. Pressure: 315bar
 Standard thread: G1/2
 Tightening torque of pull rod: 40±3N·m

| | | |
|----------------------|------|------------|
| Air cylinder control | G1/8 | 5-10(bar) |
| Oil cylinder control | G1/4 | 10-13(bar) |

Air cylinder control



Oil cylinder control





HRS-03 Type Two-way Three-position Foot Valve

Technical Specifications

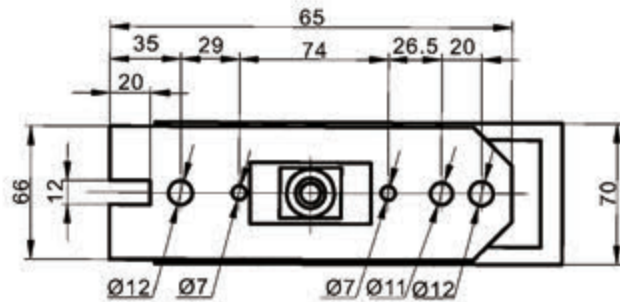
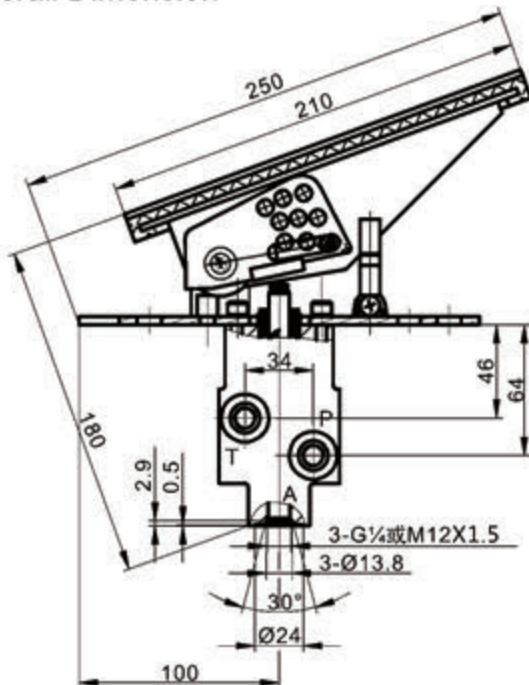
Pilot System Pressure: 10MPa
 Secondary Output Pressure :
 0.6MPa~1.9MPa
 0.6MPa~2.2MPa
 0.6MPa~2.6MPa

Applicable Medium: Hydraulic Oil



| Name | Model | Graphical symbols | |
|---|----------|-------------------|---|
| Two-way Three-position Foot Valve | HRS-030K | | NORMALLY OPEN, NO SECONDARY PRESSURE OUTPUT; |
| | HRS-030B | | NORMALLY SECONDARY PRESSURE OUTPUT |
| | HRS-031B | | NORMALLY CLOSED, SECONDARY OUTPUT PRESSURE 0.6MPa~1.9MPa |
| | HRS-032B | | NORMALLY CLOSED, SECONDARY OUTPUT PRESSURE 0.6MPa~1.9MPa |
| | HRS-033B | | NORMALLY CLOSED, SECONDARY OUTPUT PRESSURE 0.6MPa~1.9MPa |

Overall Dimension



BLV-JTXD Type Pilot Operated Foot Valve

Technical Specifications

Pilot System Pressure: 10MPa

Secondary Output Pressure :

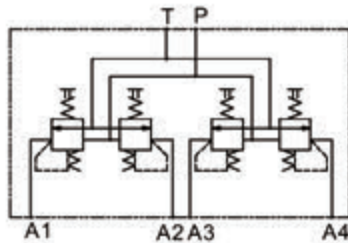
0.6MPa~1.9MPa

0.6MPa~2.2MPa

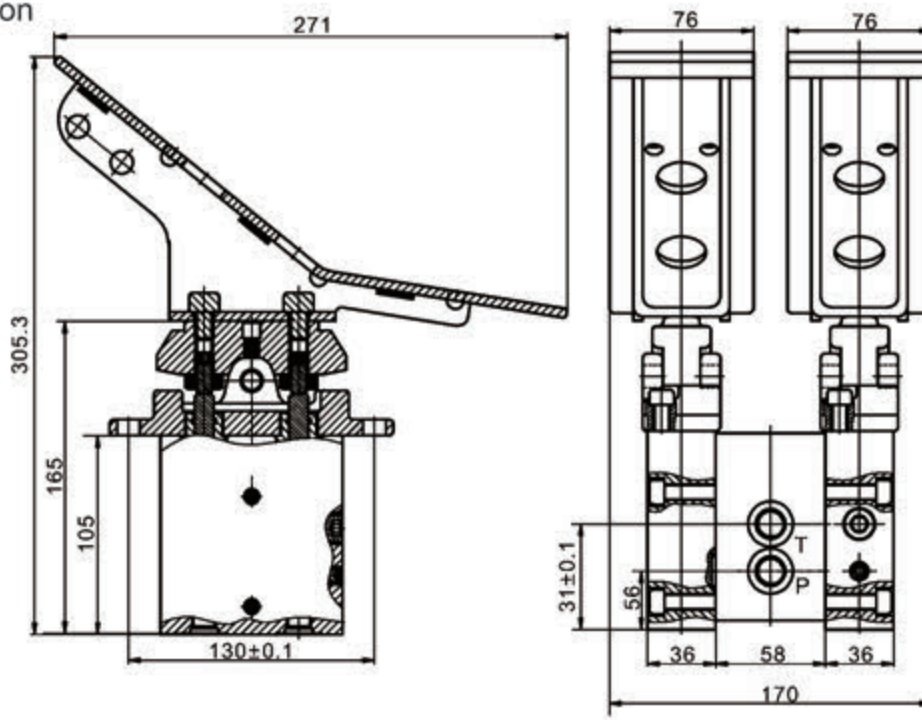
0.6MPa~2.6MPa

Applicable Medium : Hydraulic Oil

Symbol



Overall Dimension





BLV-JTXD-22 Type Foot Valve

Technical Specifications

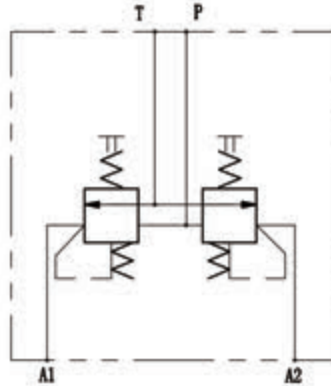
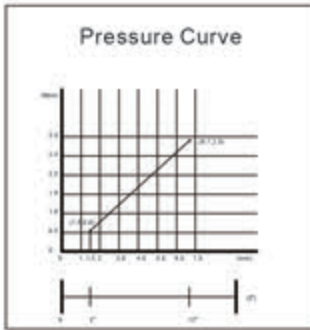
Pilot System Pressure: 10MPa
 Secondary Output Pressure :
 0.6MPa~1.9MPa
 0.6MPa~2.2MPa
 0.6MPa~2.6MPa

Applicable Medium: Hydraulic Oil

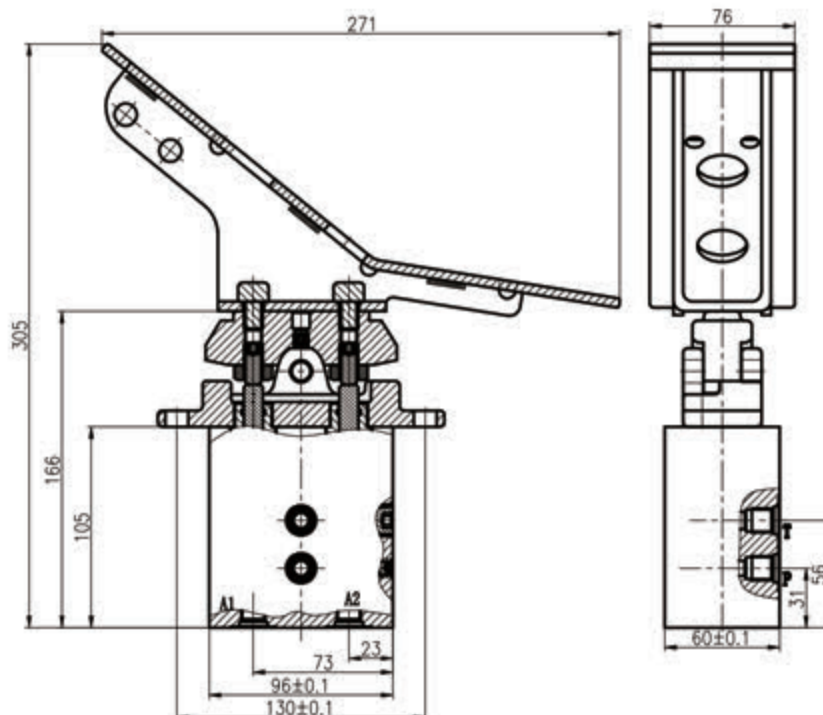
Nominal Diameter: 6mm



Symbol



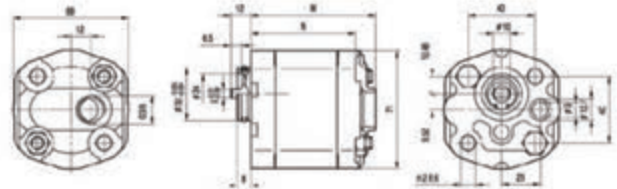
Overall Dimension



High Pressure Gear Pump

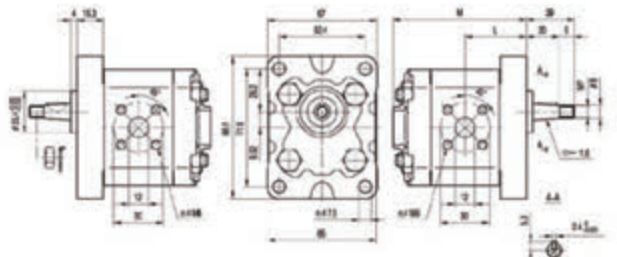
BKP1Q0

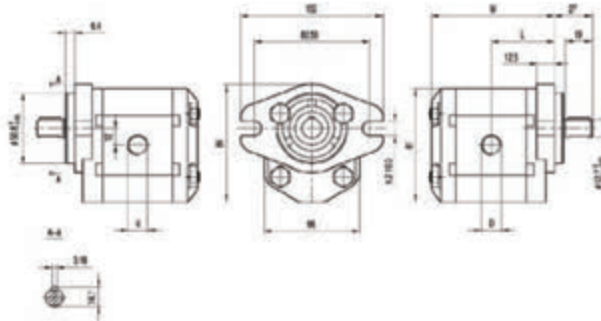
| Model | Displacement (cm ³ /rev) | Max pressure | | | Max speed | Min speed | Dimensions | |
|--------------|--|--------------|-------------|-------------|--------------|--------------|------------|-----------|
| | | P1 (bar) | P2 (bar) | P3 (bar) | | | M (mm) | N (mm) |
| BKP1Q0-D-0.8 | 0.8 | 230 | 250 | 270 | 6000 | 1000 | 73.5 | 61.5 |
| BKP1Q0-D-1.1 | 1.1 | 230 | 250 | 270 | 6000 | 1000 | 74 | 62 |
| BKP1Q0-D-1.3 | 1.3 | 230 | 250 | 270 | 6000 | 1000 | 75 | 63 |
| BKP1Q0-D-1.6 | 1.6 | 230 | 250 | 270 | 6000 | 1000 | 76 | 64 |
| BKP1Q0-D-1.8 | 1.8 | 230 | 250 | 270 | 6000 | 1000 | 77 | 65 |
| BKP1Q0-D-2.1 | 2.1 | 230 | 250 | 270 | 6000 | 1000 | 78 | 66 |
| BKP1Q0-D-2.7 | 2.7 | 230 | 250 | 270 | 6000 | 800 | 80 | 68 |
| BKP1Q0-D-3.2 | 3.2 | 210 | 230 | 250 | 5000 | 800 | 82 | 70 |
| BKP1Q0-D-3.7 | 3.7 | 210 | 230 | 250 | 4500 | 800 | 84 | 72 |
| BKP1Q0-D-4.2 | 4.2 | 210 | 230 | 250 | 4000 | 800 | 86 | 74 |
| BKP1Q0-D-4.8 | 4.8 | 190 | 210 | 230 | 3500 | 600 | 88 | 76 |
| BKP1Q0-D-5.8 | 5.8 | 190 | 210 | 230 | 3000 | 600 | 92 | 80 |
| BKP1Q0-D-7.0 | 7.0 | 160 | 180 | 200 | 2500 | 600 | 96 | 84 |
| BKP1Q0-D-8.0 | 8.0 | 160 | 180 | 200 | 2100 | 600 | 100 | 88 |



BKP1B0

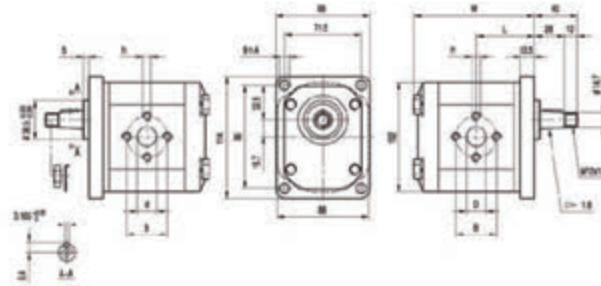
| Model | Displacement (cm ³ /rev) | Max pressure | | | Max speed | Min speed | Dimensions | |
|--------------|--|--------------|-------------|-------------|--------------|--------------|------------|-----------|
| | | P1 (bar) | P2 (bar) | P3 (bar) | | | M (mm) | N (mm) |
| BKP1B0-D-0.8 | 0.8 | 230 | 250 | 270 | 6000 | 1000 | 73.5 | 32.8 |
| BKP1B0-D-1.1 | 1.1 | 230 | 250 | 270 | 6000 | 1000 | 74 | 33 |
| BKP1B0-D-1.3 | 1.3 | 230 | 250 | 270 | 6000 | 1000 | 75 | 33.5 |
| BKP1B0-D-1.6 | 1.6 | 230 | 250 | 270 | 6000 | 1000 | 76 | 34 |
| BKP1B0-D-1.8 | 1.8 | 230 | 250 | 270 | 6000 | 1000 | 77 | 34.5 |
| BKP1B0-D-2.1 | 2.1 | 230 | 250 | 270 | 6000 | 1000 | 78 | 35 |
| BKP1B0-D-2.7 | 2.7 | 230 | 250 | 270 | 6000 | 800 | 80 | 36 |
| BKP1B0-D-3.2 | 3.2 | 210 | 230 | 250 | 5000 | 800 | 82 | 37 |
| BKP1B0-D-3.7 | 3.7 | 210 | 230 | 250 | 4500 | 800 | 84 | 38 |
| BKP1B0-D-4.2 | 4.2 | 210 | 230 | 250 | 4000 | 800 | 86 | 39 |
| BKP1B0-D-4.8 | 4.8 | 190 | 210 | 230 | 3500 | 600 | 88 | 40 |
| BKP1B0-D-5.8 | 5.8 | 190 | 210 | 230 | 3000 | 600 | 92 | 42 |
| BKP1B0-D-7.0 | 7.0 | 160 | 180 | 200 | 2500 | 600 | 96 | 44 |
| BKP1B0-D-8.0 | 8.0 | 160 | 180 | 200 | 2100 | 600 | 100 | 46 |





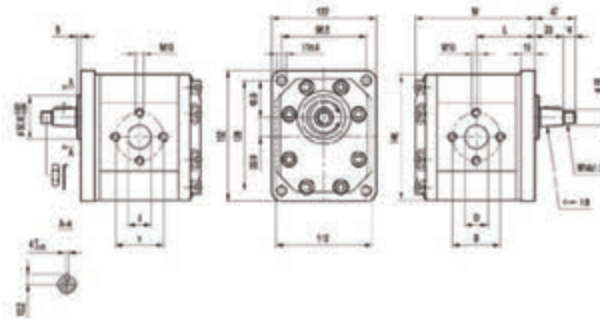
BAP1A0

| Model | Displacement (cm ³ /rev) | Max pressure | | | Max speed | Min speed | Dimensions | | | | |
|---------------|--|--------------|-------------|-------------|-----------|-----------|------------|-----------|-------|-------|--|
| | | P1 (bar) | P2 (bar) | P3 (bar) | | | M (mm) | L (mm) | D | d | |
| BAP1A0-D-1.4 | 1.4 | 250 | 270 | 290 | 6000 | 800 | 82.5 | 42 | PT1/2 | PT3/8 | |
| BAP1A0-D-2.1 | 2.1 | 250 | 270 | 290 | 6000 | 800 | 84.5 | 43 | PT1/2 | PT3/8 | |
| BAP1A0-D-2.8 | 2.8 | 250 | 270 | 290 | 5000 | 800 | 86.5 | 44 | PT1/2 | PT3/8 | |
| BAP1A0-D-3.5 | 3.5 | 250 | 270 | 290 | 5000 | 800 | 88.5 | 45 | PT1/2 | PT3/8 | |
| BAP1A0-D-4.1 | 4.1 | 250 | 270 | 290 | 4000 | 800 | 90.5 | 46 | PT1/2 | PT3/8 | |
| BAP1A0-D-5.2 | 5.2 | 230 | 245 | 260 | 4000 | 800 | 93.5 | 47.5 | PT1/2 | PT3/8 | |
| BAP1A0-D-6.2 | 6.2 | 230 | 245 | 260 | 3500 | 800 | 96.5 | 49 | PT1/2 | PT3/8 | |
| BAP1A0-D-7.6 | 7.6 | 200 | 215 | 230 | 3000 | 600 | 100.5 | 51 | PT3/4 | PT1/2 | |
| BAP1A0-D-9.3 | 9.3 | 180 | 195 | 210 | 2500 | 600 | 105.5 | 53.5 | PT3/4 | PT1/2 | |
| BAP1A0-D-11.0 | 11.0 | 170 | 185 | 200 | 2500 | 600 | 110.5 | 56 | PT3/4 | PT1/2 | |
| BAP1A0-D-13.8 | 13.8 | 150 | 165 | 180 | 2000 | 600 | 118.5 | 60 | PT3/4 | PT1/2 | |



BHP2B0

| Model | Displacement (cm ³ /rev) | Max pressure | | | Max speed | Min speed | Dimensions | | | | | | | |
|-------------|--|--------------|-------------|-------------|-----------|-----------|------------|-----------|-----------|-----------|----|-----------|-----------|----|
| | | P1 (bar) | P2 (bar) | P3 (bar) | | | M (mm) | L (mm) | B (mm) | D (mm) | H | b (mm) | d (mm) | h |
| BHP2B0-D-3 | 3 | 270 | 285 | 300 | 4000 | 800 | 91.1 | 43.6 | 30 | 13 | M6 | 30 | 13 | M6 |
| BHP2B0-D-4 | 4 | 270 | 285 | 300 | 4000 | 600 | 92.7 | 44.4 | 30 | 13 | M6 | 30 | 13 | M6 |
| BHP2B0-D-6 | 6 | 270 | 285 | 300 | 4000 | 600 | 96 | 46 | 30 | 13 | M6 | 30 | 13 | M6 |
| BHP2B0-D-8 | 8 | 270 | 285 | 300 | 3500 | 500 | 99.3 | 47.7 | 30 | 13 | M6 | 30 | 13 | M6 |
| BHP2B0-D-10 | 10 | 270 | 285 | 300 | 3000 | 500 | 102.6 | 49.3 | 40 | 20 | M8 | 30 | 13 | M6 |
| BHP2B0-D-12 | 12 | 270 | 285 | 300 | 3000 | 500 | 105.9 | 51 | 40 | 20 | M8 | 30 | 13 | M6 |
| BHP2B0-D-14 | 14 | 250 | 265 | 280 | 4000 | 500 | 109.3 | 52.7 | 40 | 20 | M8 | 30 | 13 | M6 |
| BHP2B0-D-16 | 16 | 250 | 265 | 280 | 4000 | 500 | 112.7 | 54.4 | 40 | 20 | M8 | 30 | 13 | M6 |
| BHP2B0-D-18 | 18 | 250 | 265 | 280 | 3600 | 400 | 116 | 56 | 40 | 20 | M8 | 30 | 13 | M6 |
| BHP2B0-D-20 | 20 | 220 | 235 | 250 | 3200 | 400 | 119.3 | 57.7 | 40 | 20 | M8 | 30 | 13 | M6 |
| BHP2B0-D-22 | 22 | 220 | 235 | 250 | 3000 | 400 | 122.6 | 59.3 | 40 | 20 | M8 | 30 | 13 | M6 |
| BHP2B0-D-25 | 25 | 200 | 215 | 230 | 3000 | 400 | 127.6 | 61.8 | 40 | 22 | M8 | 30 | 13 | M6 |
| BHP2B0-D-28 | 28 | 180 | 190 | 200 | 2500 | 400 | 132.6 | 64.3 | 40 | 22 | M8 | 30 | 13 | M6 |
| BHP2B0-D-30 | 30 | 160 | 170 | 180 | 2500 | 400 | 135.9 | 66 | 40 | 22 | M8 | 30 | 13 | M6 |



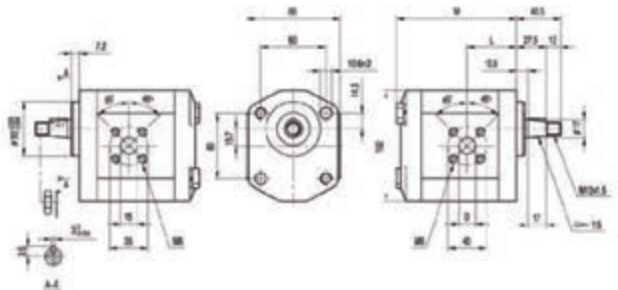
BHP3B1

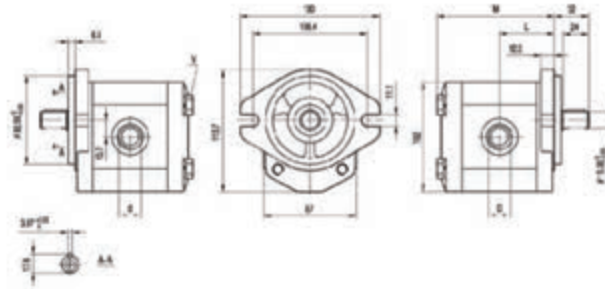
| Model | Displacement (cm ³ /rev) | Max pressure | | | Max speed | Min speed | Dimensions | | | | | |
|-------------|--|--------------|-------------|-------------|--------------|--------------|------------|-----------|-----------|-----------|-----------|-----------|
| | | P1 (bar) | P2 (bar) | P3 (bar) | | | M (mm) | L (mm) | B (mm) | D (mm) | b (mm) | d (mm) |
| BHP3B1-D-20 | 20 | 250 | 265 | 280 | 3500 | 600 | 128 | 63 | 56 | 27 | 56 | 19 |
| BHP3B1-D-22 | 22 | 250 | 265 | 280 | 3000 | 600 | 130 | 64 | 56 | 27 | 56 | 19 |
| BHP3B1-D-26 | 26 | 250 | 265 | 280 | 3000 | 600 | 133 | 65 | 56 | 27 | 56 | 19 |
| BHP3B1-D-33 | 33 | 230 | 250 | 270 | 3000 | 500 | 139 | 68 | 56 | 27 | 56 | 19 |
| BHP3B1-D-39 | 39 | 230 | 250 | 270 | 3000 | 500 | 146 | 72 | 56 | 27 | 56 | 19 |
| BHP3B1-D-46 | 46 | 230 | 250 | 270 | 3000 | 500 | 152 | 75 | 51 | 27 | 51 | 27 |
| BHP3B1-D-50 | 50 | 220 | 240 | 260 | 3000 | 500 | 156 | 77 | 56 | 27 | 56 | 27 |
| BHP3B1-D-52 | 52 | 220 | 240 | 260 | 3000 | 500 | 158 | 78 | 56 | 27 | 56 | 27 |
| BHP3B1-D-55 | 55 | 220 | 230 | 250 | 2800 | 400 | 160 | 79 | 62 | 33 | 51 | 27 |
| BHP3B1-D-63 | 63 | 220 | 230 | 250 | 2800 | 400 | 168 | 83 | 62 | 33 | 51 | 27 |
| BHP3B1-D-71 | 71 | 180 | 200 | 220 | 2500 | 400 | 175 | 86 | 62 | 33 | 51 | 27 |

BHP2Q0



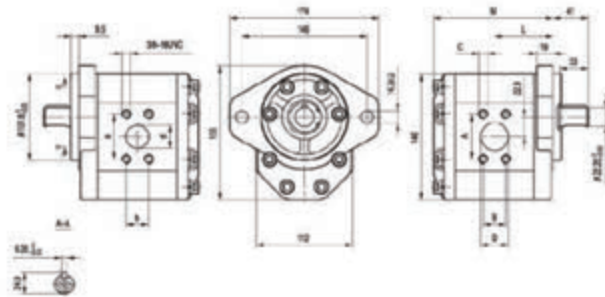
| Model | Displacement (cm ³ /rev) | Max pressure | | | Max speed | Min speed | Dimensions | | |
|-------------|--|--------------|-------------|-------------|--------------|--------------|------------|-----------|-----------|
| | | P1 (bar) | P2 (bar) | P3 (bar) | | | M (mm) | N (mm) | D (mm) |
| BHP2Q0-D-3 | 3 | 270 | 285 | 300 | 4000 | 800 | 88.6 | 37.4 | 15 |
| BHP2Q0-D-4 | 4 | 270 | 285 | 300 | 4000 | 600 | 90.2 | 37.4 | 15 |
| BHP2Q0-D-6 | 6 | 270 | 285 | 300 | 4000 | 600 | 93.5 | 38.6 | 15 |
| BHP2Q0-D-8 | 8 | 270 | 285 | 300 | 3500 | 500 | 96.8 | 40.7 | 15 |
| BHP2Q0-D-10 | 10 | 270 | 285 | 300 | 3000 | 500 | 100.1 | 41.2 | 20 |
| BHP2Q0-D-12 | 12 | 270 | 285 | 300 | 3000 | 500 | 103.4 | 45 | 20 |
| BHP2Q0-D-14 | 14 | 250 | 265 | 280 | 4000 | 500 | 106.8 | 45 | 20 |
| BHP2Q0-D-16 | 16 | 250 | 265 | 280 | 4000 | 500 | 110.2 | 45 | 20 |
| BHP2Q0-D-18 | 18 | 250 | 265 | 280 | 3600 | 400 | 113.5 | 45 | 20 |
| BHP2Q0-D-20 | 20 | 220 | 235 | 250 | 3200 | 400 | 116.8 | 45 | 20 |
| BHP2Q0-D-22 | 22 | 220 | 235 | 250 | 3000 | 400 | 120.1 | 52.6 | 20 |
| BHP2Q0-D-25 | 25 | 200 | 215 | 230 | 3000 | 400 | 125.1 | 59.3 | 20 |
| BHP2Q0-D-28 | 28 | 180 | 190 | 200 | 2500 | 400 | 130.1 | 61.8 | 20 |
| BHP2Q0-D-30 | 30 | 160 | 170 | 180 | 2500 | 400 | 133.4 | 63.5 | 20 |





BHP2A0(BAP2A0)

| Model | Displacement (cm ³ /rev) | Max pressure | | | Max speed | Min speed | Dimensions | | | | |
|-------------|--|--------------|-------------|-------------|--------------|--------------|------------|-----------|-------------|-----------|--|
| | | P1 (bar) | P2 (bar) | P3 (bar) | | | M (mm) | L (mm) | D | d | |
| BHP2A0-D-3 | 3 | 270 | 285 | 300 | 4000 | 800 | 91.1 | 43.6 | 11/16-12UNF | 7/8-14UNF | |
| BHP2A0-D-4 | 4 | 270 | 285 | 300 | 4000 | 600 | 92.7 | 44.4 | 11/16-12UNF | 7/8-14UNF | |
| BHP2A0-D-6 | 6 | 270 | 285 | 300 | 4000 | 600 | 96 | 46 | 11/16-12UNF | 7/8-14UNF | |
| BHP2A0-D-8 | 8 | 270 | 285 | 300 | 3500 | 500 | 99.3 | 47.7 | 11/16-12UNF | 7/8-14UNF | |
| BHP2A0-D-10 | 10 | 270 | 285 | 300 | 3000 | 500 | 102.6 | 49.3 | 11/16-12UNF | 7/8-14UNF | |
| BHP2A0-D-12 | 12 | 270 | 285 | 300 | 3000 | 500 | 105.9 | 51 | 11/16-12UNF | 7/8-14UNF | |
| BHP2A0-D-14 | 14 | 250 | 265 | 280 | 4000 | 500 | 109.3 | 52.7 | 11/16-12UNF | 7/8-14UNF | |
| BHP2A0-D-16 | 16 | 250 | 265 | 280 | 4000 | 500 | 112.7 | 54.4 | 11/16-12UNF | 7/8-14UNF | |
| BHP2A0-D-18 | 18 | 250 | 265 | 280 | 3600 | 400 | 116 | 56 | 11/16-12UNF | 7/8-14UNF | |
| BHP2A0-D-20 | 20 | 220 | 235 | 250 | 3200 | 400 | 119.3 | 57.7 | 11/16-12UNF | 7/8-14UNF | |
| BHP2A0-D-22 | 22 | 220 | 235 | 250 | 3000 | 400 | 122.6 | 59.3 | 11/16-12UNF | 7/8-14UNF | |
| BHP2A0-D-25 | 25 | 200 | 215 | 230 | 3000 | 400 | 127.6 | 61.8 | 11/16-12UNF | 7/8-14UNF | |
| BHP2A0-D-28 | 28 | 180 | 190 | 200 | 2500 | 400 | 132.6 | 64.3 | 11/16-12UNF | 7/8-14UNF | |
| BHP2A0-D-30 | 30 | 160 | 170 | 180 | 2500 | 400 | 135.9 | 66 | 15/16-12UNF | 7/8-14UNF | |

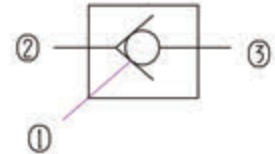


BHP3A0

| Model | Displacement (cm ³ /rev) | Max pressure | | | Max speed | Min speed | Dimensions | | | | | | | | |
|-------------|--|--------------|-------------|-------------|--------------|--------------|------------|-----------|-----------|-----------|-----------|-----------|-----------|-----------|-----------|
| | | P1 (bar) | P2 (bar) | P3 (bar) | | | M (mm) | L (mm) | A (mm) | B (mm) | C (mm) | D (mm) | a (mm) | b (mm) | d (mm) |
| BHP3A0-D-20 | 20 | 250 | 265 | 280 | 3500 | 600 | 128 | 63 | 52.4 | 26.2 | 3/8 | 27 | 47.6 | 22.2 | 19 |
| BHP3A0-D-22 | 22 | 250 | 265 | 280 | 3500 | 600 | 130 | 64 | 52.4 | 26.2 | 3/8 | 27 | 47.6 | 22.2 | 19 |
| BHP3A0-D-26 | 26 | 250 | 265 | 280 | 3000 | 600 | 133 | 65 | 52.4 | 26.2 | 3/8 | 27 | 47.6 | 22.2 | 19 |
| BHP3A0-D-33 | 33 | 230 | 250 | 270 | 3000 | 500 | 139 | 68 | 52.4 | 26.2 | 3/8 | 27 | 47.6 | 22.2 | 19 |
| BHP3A0-D-39 | 39 | 230 | 250 | 270 | 3000 | 500 | 146 | 72 | 52.4 | 26.2 | 3/8 | 27 | 47.6 | 22.2 | 19 |
| BHP3A0-D-46 | 46 | 230 | 250 | 270 | 3000 | 500 | 152 | 75 | 52.4 | 26.2 | 3/8 | 27 | 47.6 | 22.2 | 19 |
| BHP3A0-D-50 | 50 | 220 | 240 | 260 | 3000 | 500 | 156 | 77 | 52.4 | 26.2 | 3/8 | 27 | 47.6 | 22.2 | 19 |
| BHP3A0-D-52 | 52 | 220 | 240 | 260 | 3000 | 500 | 158 | 78 | 52.4 | 26.2 | 3/8 | 27 | 47.6 | 22.2 | 19 |
| BHP3A0-D-55 | 55 | 200 | 230 | 250 | 2800 | 400 | 160 | 79 | 58.7 | 30.2 | 7/16 | 33 | 52.4 | 26.2 | 27 |
| BHP3A0-D-63 | 63 | 200 | 230 | 250 | 2800 | 400 | 168 | 83 | 58.7 | 30.2 | 7/16 | 33 | 52.4 | 26.2 | 27 |
| BHP3A0-D-71 | 71 | 180 | 200 | 220 | 2500 | 400 | 175 | 86 | 58.7 | 30.2 | 7/16 | 33 | 52.4 | 26.2 | 27 |

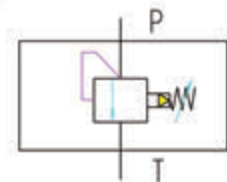
BLV-SYS08-42-SY-02 Hydraulic Check Valves

Maximum Setting: 420bar
 Max.Flow: 25 L/min
 Pilot Ratio: 7:1



XYF10-08 Pilot Operated Relief Valves

Maximum Setting: 350bar
 Max.Flow: 113L/min
 Internal Leakage: < 80ml/min
 Spring Adjustment Range: 7-83bar
 45-165bar
 128-345bar



RVT2-A0-C-N Remote Control Relief Valves

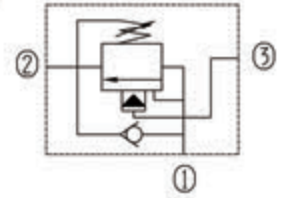
Maximum Setting: 350bar
 Max.Flow: 120L/min
 Spring Adjustment Range: 7-210bar
 3.5-105bar
 10-315bar





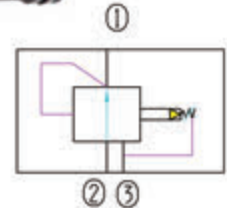
LCBEH Type Balance Valve

Maximum Setting: 350bar
 Max. Flow: 120L/min
 Pilot Ratio: 10:1
 Internal Leakage: 5draps/min



LPBBB Pilot Operated Pressure Reducing Valve

Maximum Setting: 350bar
 Max. Flow: 20L/min
 Spring Adjustment Range: 5-210bar



DF08-02 Check Valves

Maximum Setting: 315bar
 Max. Flow: 30L/min
 Internal Leakage: < 0.3ml/min(210bar)



NXQ Series Accumulator

| Model | Nominal Volume (L) | Size (mm) | | Weight (kg) |
|------------------|--------------------|-----------|--------|-------------|
| | | Rosca | Flange | |
| | | L | | |
| NXQ*-0.4"-L(F)* | 0.4 | 260 | 270 | 3 |
| NXQ*-0.63"-L(F)* | 0.63 | 315 | 325 | 3.5 |
| NXQ*-1"-L(F)* | 1 | 430 | 440 | 4.5 |
| NXQ*-1"-L(F)* | 1 | 330 | 340 | 5 |
| NXQ*-1.6"-L(F)* | 1.6 | 365 | 380 | 11 |
| NXQ*-2.5"-L(F)* | 2.5 | 430 | 445 | 14 |
| NXQ*-4"-L(F)* | 4 | 540 | 555 | 16 |
| NXQ*-6.3"-L(F)* | 6.3 | 710 | 725 | 22 |
| NXQ*-10"-L(F)* | 10 | 650 | 665 | 39 |
| NXQ*-16"-L(F)* | 16 | 860 | 875 | 54 |
| NXQ*-20"-L(F)* | 20 | 985 | 1000 | 62 |
| NXQ*-25"-L(F)* | 25 | 1160 | 1175 | 74 |
| NXQ*-32"-L(F)* | 32 | 1400 | 1415 | 90 |
| NXQ*-40"-L(F)* | 40 | 1680 | 1695 | 108 |
| NXQ*-20"-L(F)* | 20 | 680 | 695 | 80 |
| NXQ*-25"-L(F)* | 25 | 770 | 785 | 90 |
| NXQ*-40"-L(F)* | 40 | 1050 | 1065 | 118 |
| NXQ*-50"-L(F)* | 50 | 1230 | 1245 | 138 |
| NXQ*-63"-L(F)* | 63 | 1470 | 1485 | 171 |
| NXQ*-80"-L(F)* | 80 | 1810 | 1825 | 213 |
| NXQ*-100"-L(F)* | 100 | 2190 | 2205 | 253 |



| Model | Nominal Volume (L) | Size (mm) | | Weight (kg) |
|-----------------|--------------------|-----------|--------|-------------|
| | | Rosca | Flange | |
| | | L | | |
| NXQ*-150"-L(F)* | 150 | 3125 | 3140 | 335 |
| NXQ*-63"-L(F)* | 63 | 1170 | 1185 | 170 |
| NXQ*-80"-L(F)* | 80 | 1395 | 1410 | 206 |
| NXQ*-100"-L(F)* | 100 | 1660 | 1675 | 250 |
| NXQ*-125"-L(F)* | 125 | 1990 | 2005 | 304 |
| NXQ*-150"-L(F)* | 150 | 2310 | 2325 | 356 |
| NXQ*-160"-L(F)* | 160 | 2450 | 2465 | 379 |
| NXQ*-180"-L(F)* | 180 | 2700 | 2715 | 420 |
| NXQ*-200"-L(F)* | 200 | 2980 | 2995 | 466 |

Pressure Testing Hose And Adapter

Normal diameter d : 3.0mm

Hose inside diameter di : 2.9mm

Hose outer diameter D : 6.0mm

Weight G : 23g/m

Temperature range : -70~+260 °C

Chemical properties : (Acid-resistant)

Surrounding suitability : ozone-resistant, resistance to ultraviolet light and no moisture absorption

Max. dynamic pressure Pd : 40MPa

Max. quiescent pressure Ps : 64MPa

Min. burst pressure Pe : 160MPa

Min. bending radius Rmtn : 30mm

Life/Vida : According DIN20024

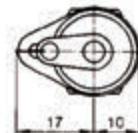
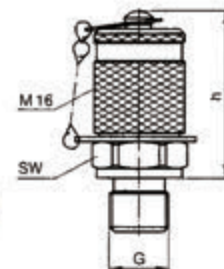
Safety Coefficient : 2.5 (Static) 4 (Dynamic)





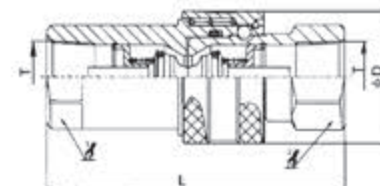
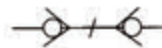
SMK Testing Coupling

| Rosca (G) | h | SW | Marca de orden | |
|------------|----|----|------------------|------------------|
| | | | NBR | FPM |
| M8x1 | 37 | 17 | SMK20-M8x1-PA | SMK20-M8x1-VA |
| M10x1 | 37 | 17 | SMK20-M10x1-PA | SMK20-M10x1-VA |
| M12x1.5 | 37 | 17 | SMK20-M12x1.5-PC | SMK20-M12x1.5-VC |
| M14x1.5 | 37 | 19 | SMK20-M14x1.5-PB | SMK20-M14x1.5-VB |
| M16x1.5 | 37 | 22 | SMK20-M16x1.5-PB | SMK20-M16x1.5-VB |
| G1/8 | 37 | 17 | SMK20-G1/8-PC | SMK20-G1/8-VC |
| G1/4 | 37 | 19 | SMK20-G1/4-PB | SMK20-G1/4-VB |
| G1/4 | 37 | 19 | SMK20-G1/4-PC | SMK20-G1/4-VC |
| G3/8 | 37 | 22 | SMK20-G3/8-PB | SMK20-G3/8-VB |
| PT1/8 | 36 | 17 | SMK20-R1/8K-PD | SMK20-R1/8K-VD |
| PT1/4 | 36 | 17 | SMK20-R1/4K-PD | SMK20-R1/4K-VD |
| 1/8NPT | 36 | 17 | SMK20-1/8NPT-PD | SMK20-1/8NPT-VD |
| 1/4NPT | 37 | 17 | SMK20-1/4NPT-PD | SMK20-1/4NPT-VD |
| 5/16-24UNF | 37 | 17 | SMK20-5/16UNF-PE | SMK20-5/16UNF-VE |
| 7/16-20UNF | 37 | 17 | SMK20-7/16UNF-PE | SMK20-7/16UNF-VE |
| 1/2-20UNF | 37 | 17 | SMK20-1/2UNF-PE | SMK20-1/2UNF-VE |
| 9/16-18UNF | 38 | 19 | SMK20-9/16UNF-PE | SMK20-9/16UNF-VE |



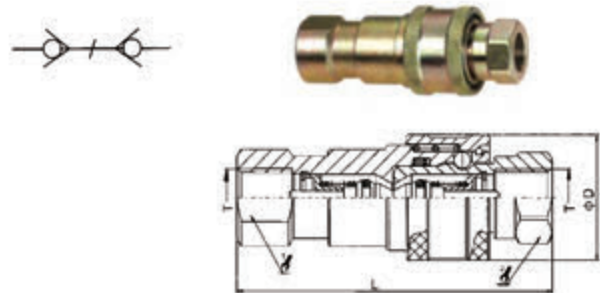
BLV-S1 Close Type Hydraulic Quick Coupling (Steel) Coupling Fitting

| Model | L | φD | 1 | 2 | T |
|-----------|-----|------|----|----|------------------|
| BLV-S1-02 | 71 | 26 | 19 | 19 | G1/4 NPT1/4 |
| BLV-S1-03 | 75 | 31.5 | 22 | 22 | G3/8 NPT3/8 |
| BLV-S1-04 | 88 | 38.5 | 27 | 27 | G1/2 NPT1/2 |
| BLV-S1-06 | 110 | 48 | 34 | 35 | G3/4 NPT3/4 |
| BLV-S1-08 | 120 | 58 | 41 | 41 | G1 NPT1 |
| BLV-S1-10 | 150 | 69.8 | 50 | 50 | G1 1/4 NPT1 1/4 |
| BLV-S1-12 | 167 | 84.5 | 60 | 60 | G1 1/2G NPT1 1/2 |
| BLV-S1-16 | 210 | 99 | 75 | 75 | G2 NPT2 |



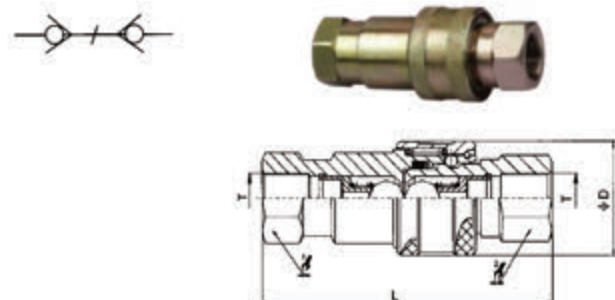
BLV-S2 Close Type Hydraulic Quick Coupling (Steel) Coupling Fitting

| Model | L | φD | 1 | 2 | T | |
|-----------|------|------|------|------|------|--------|
| BLV-S2-02 | 72 | 28.5 | 19 | 19 | G1/4 | NPT1/4 |
| BLV-S2-03 | 81 | 35 | 24 | 24 | G3/8 | NPT3/8 |
| BLV-S2-04 | 93.5 | 44.5 | 28.5 | 28.5 | G1/2 | NPT1/2 |
| BLV-S2-06 | 113 | 54 | 35 | 36 | G3/4 | NPT3/4 |
| BLV-S2-08 | 127 | 63.5 | 41 | 41 | G1 | NPT1 |



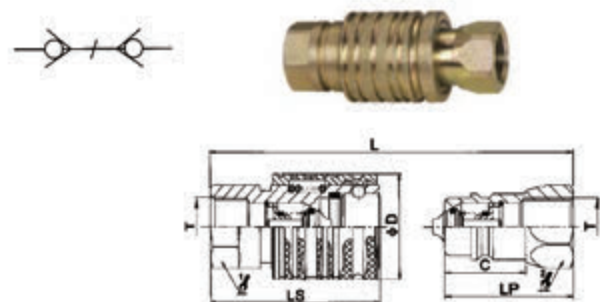
BLV-S4 Ball Valve Type Hydraulic Quick Coupling (Steel) Coupling Fitting

| Model | L | φD | 1 | 2 | T | |
|-----------|-----|------|----|----|------|--------|
| BLV-S4-02 | 72 | 27.6 | 19 | 19 | G1/4 | NPT1/4 |
| BLV-S4-03 | 83 | 34 | 24 | 24 | G3/8 | NPT3/8 |
| BLV-S4-04 | 88 | 38.5 | 27 | 27 | G1/2 | NPT1/2 |
| BLV-S4-06 | 108 | 48.2 | 34 | 34 | G3/4 | NPT3/4 |
| BLV-S4-08 | 127 | 56.5 | 41 | 41 | G1 | NPT1 |



BLV-S5 Push And Pull Type Hydraulic Quick Coupling (Steel) Coupling Fitting

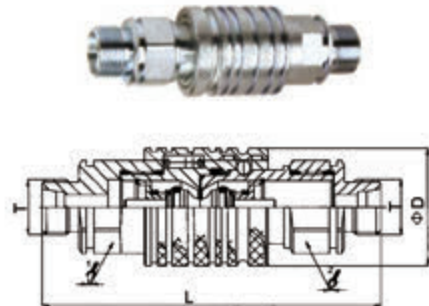
| Model | L | φD | 1 | 2 | T | |
|---------------|-------|----|----|----|---------|--------|
| BLV-S5-04F3/8 | 105.5 | 38 | 27 | 27 | 3/8BSP | NPT3/8 |
| BLV-S5-04F1/2 | 111.5 | 38 | 27 | 27 | 1/2BSP | NPT1/2 |
| BLV-S5-04F3/4 | 105.5 | 38 | 34 | 34 | 3/4BSP | NPT3/4 |
| BLV-S5-04FM14 | 105.5 | 38 | 27 | 27 | M14x1.5 | |
| BLV-S5-04FM16 | 105.5 | 38 | 27 | 27 | M16x1.5 | |
| BLV-S5-04FM18 | 105.5 | 38 | 27 | 27 | M18x1.5 | |
| BLV-S5-04FM22 | 88 | 38 | 27 | 27 | M22x1.5 | |





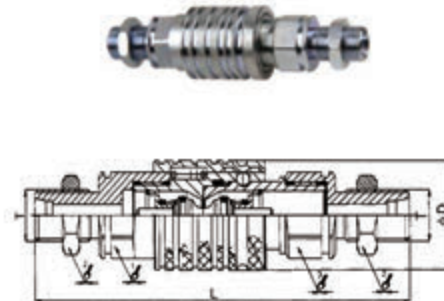
BLV-S5 PushAnd Pull Type Hydraulic Quick Coupling (Steel)
Coupling Fitting

| Model | L | φD | | | T |
|---------------|-----|----|----|----|---------|
| BLV-S5-04-8L | 110 | 38 | 27 | 27 | M14x1.5 |
| BLV-S5-04-10L | 110 | 38 | 27 | 27 | M16x1.5 |
| BLV-S5-04-12L | 110 | 38 | 27 | 27 | M18x1.5 |
| BLV-S5-04-15L | 114 | 38 | 27 | 27 | M22x1.5 |
| BLV-S5-04-18L | 114 | 38 | 27 | 27 | M26x1.5 |
| BLV-S5-04-10S | 110 | 38 | 27 | 27 | M18x1.5 |
| BLV-S5-04-12S | 110 | 38 | 27 | 27 | M20x1.5 |
| BLV-S5-04-14S | 114 | 38 | 27 | 27 | M22x1.5 |
| BLV-S5-04-16S | 114 | 38 | 27 | 27 | M24x1.5 |
| BLV-S5-04-20S | 156 | 38 | 30 | 30 | M30x2 |



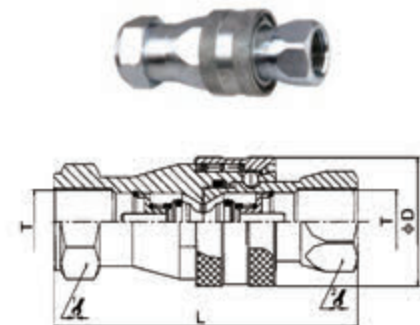
BLV-S5C Bulkhead Push And Pull Type Hydraulic Quick Coupling (Steel)
Coupling Fitting

| Model | L | φD | | | | T |
|----------------|-----|----|----|----|----|---------|
| BLV-S5C-04-8L | 138 | 38 | 27 | 19 | 27 | M14*1.5 |
| BLV-S5C-04-10L | 138 | 38 | 27 | 24 | 27 | M16*1.5 |
| BLV-S5C-04-12L | 138 | 38 | 27 | 24 | 27 | M18*1.5 |
| BLV-S5C-04-15L | 142 | 38 | 27 | 27 | 27 | M22*1.5 |
| BLV-S5C-04-18L | 142 | 38 | 27 | 30 | 27 | M26*1.5 |
| BLV-S5C-04-10S | 138 | 38 | 27 | 24 | 27 | M18*1.5 |
| BLV-S5C-04-12S | 138 | 38 | 27 | 27 | 27 | M20*1.5 |
| BLV-S5C-04-14S | 142 | 38 | 27 | 27 | 27 | M22*1.5 |
| BLV-S5C-04-16S | 142 | 38 | 27 | 30 | 27 | M24*1.5 |
| BLV-S5C-04-20S | 156 | 38 | 30 | 36 | 30 | M30*2 |



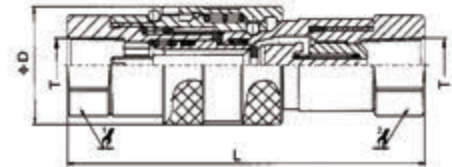
BLV-S6 Close Type Hydraulic Quick Coupling (Steel)
Coupling Fitting

| Model | L | φD | | | T |
|-----------|------|------|----|----|-------------|
| BLV-S6-02 | 71.1 | 26 | 19 | 19 | G1/4 NPT1/4 |
| BLV-S6-03 | 75 | 31.5 | 24 | 22 | G3/8 NPT3/8 |
| BLV-S6-04 | 92.4 | 38.6 | 30 | 27 | G1/2 NPT1/2 |
| BLV-S6-06 | 109 | 46.5 | 38 | 34 | G3/4 NPT3/4 |
| BLV-S6-08 | 135 | 57 | 45 | 41 | G1" NPT1" |



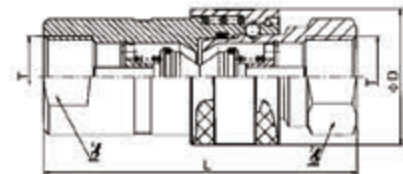
BLV-PT Flat Face Type Hydraulic Quick Coupling (Steel)
Coupling Fitting

| Model | L | φD | 1 | A | T |
|-----------|-------|----|----|----|-------------|
| BLV-PT-02 | 85 | 28 | 22 | 22 | G1/4 NPT1/4 |
| BLV-PT-03 | 111 | 32 | 27 | 24 | G3/8 NPT3/8 |
| BLV-PT-04 | 124.5 | 38 | 32 | 32 | G1/2 NPT1/2 |
| BLV-PT-06 | 132 | 42 | 36 | 36 | G3/4 NPT3/4 |
| BLV-PT-08 | 157 | 48 | 41 | 41 | G1 NPT1 |
| BLV-PT-10 | 173 | 56 | 55 | 55 | G1'4 NPT1'4 |

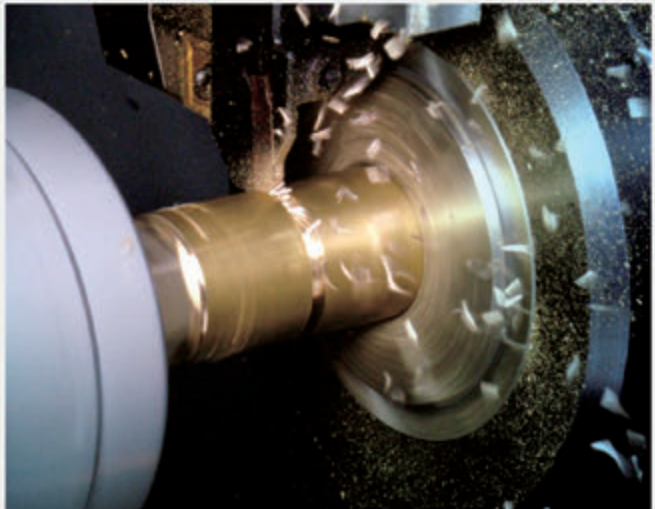


BLV-PK Close Type Hydraulic Quick Coupling (Steel)
Coupling Fitting

| Model | L | φD | 1 | 2 | T |
|-----------|------|------|----|------|-------------|
| BLV-PK-02 | 72 | 27.6 | 19 | 19 | G1/4 NPT1/4 |
| BLV-PK-03 | 83 | 34 | 24 | 24 | G3/8 NPT3/8 |
| BLV-PK-04 | 91 | 38.5 | 30 | 27 | G1/2 NPT1/2 |
| BLV-PK-06 | 96.5 | 47.5 | 35 | 33.5 | G3/4 NPT3/4 |
| BLV-PK-08 | 120 | 56.2 | 41 | 41 | G1" NPT1" |



AF AXXION FLEX



AF **AXXION FLEX**

 **USA BRAND**



sales@axxionflex.com • Phone: +1 786 655 7577 U.S.A

www.axxionflex.com