

AF AXSION FLEX

 USA BRAND



CONCRETE HOSE AND PUMP PARTS

www.axxionflex.com


AF AXXION FLEX

CONCRETE HOSE AND PUMP PARTS



AFAXXION FLEX

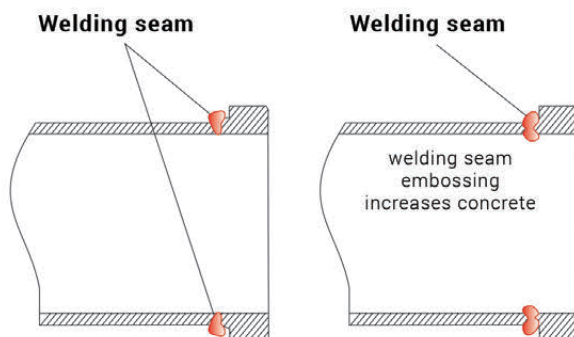
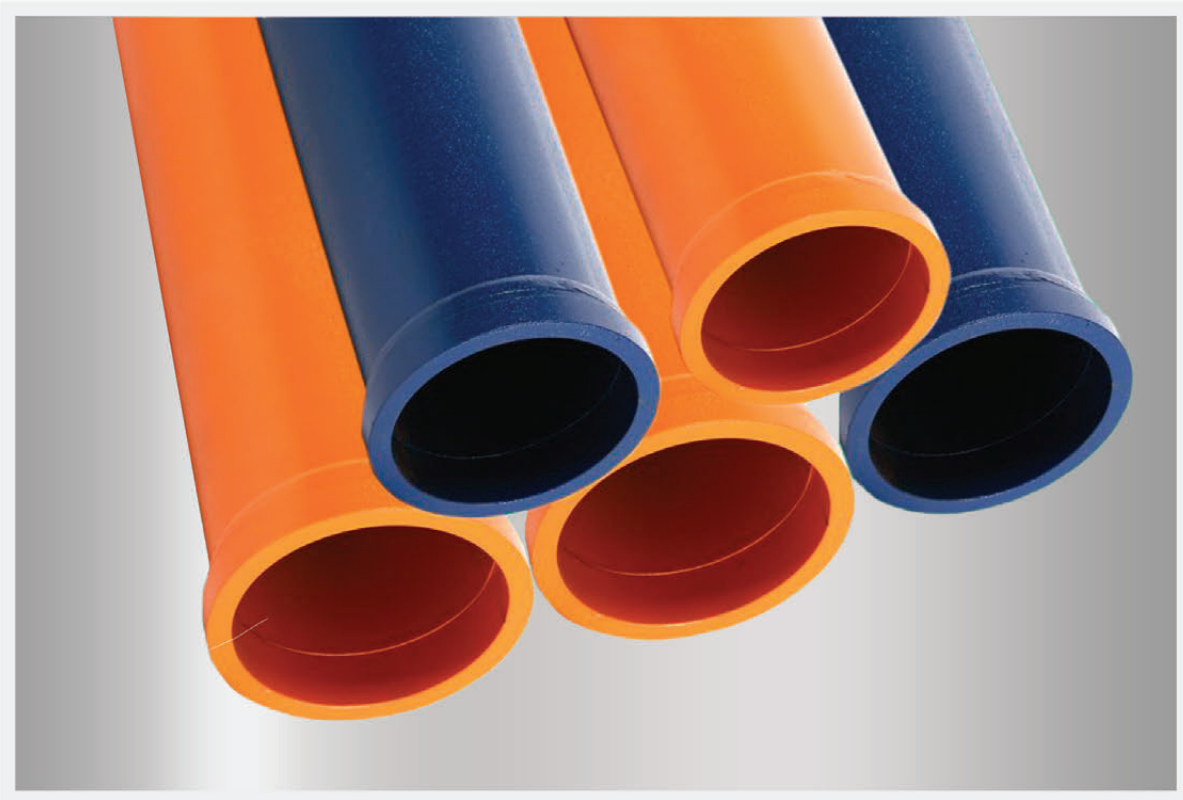


A photograph of a construction site with a large crane and workers in the background, overlaid with a semi-transparent orange and grey geometric shape.

Concrete Pump Ground Steel Pipe Series	1-2
Concrete Pump Seal Ring Series	3
Concrete Pump Clamp Series	4
Concrete Pump Rump Rubber and Hose Series	5-6
Concrete Pump Twin-Wall Elbow Series	7
Concrete Pump double straight series	8
Concrete Pump Rubber Cloth-Inserted Piston Series	9-10



CONCRETE PUMP GROUND STEEL PIPE SERIES



Product Brief:

Material: Pipe body is straight seam tube of low content alloy, flange is forging and material is low content alloy.

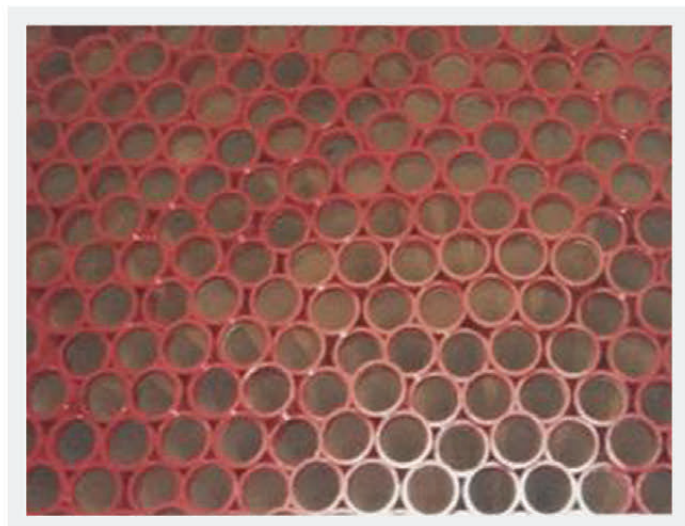
Performance: abrasion resistant (compared with the material of Q235 the wear-resistant is promoted more than 1.8 times)

Superiority: ex circle of single welding, reduce flow resistance of inner-pipe, reduce energy consumption 5-8%.

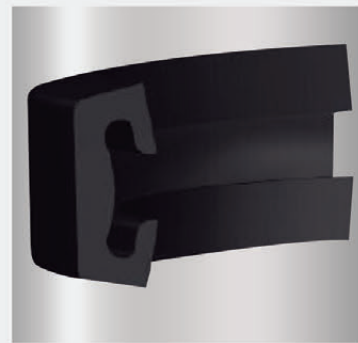
CONCRETE PUMP GROUND STEEL PIPE SERIES



Equipment: Delivery pipe high frequency welding line.



CONCRETE PUMP SEAL RING SERIES



Characteristic:

Excellent aging- resistant and acid-resistance performance.

Lower compression deformation reusable.

CONCRETE PUMP CLAMP SERIES



Data Sheet:

Name	Size	A	B	C	D	E	F
Bolt Coupling	3"	90	100	117	38	31	25
	4"	115	123,5	143	37	33	26
	5"	140,5	150	170	37	33	26
	6"	168,5	184,5	206	37	30	24
	7"	191	202	222	40	32	25
	8"	218	240	264	46	35	26
Snap Coupling	5"	140	150	170	38	31	25

CONCRETE PUMP RUMP RUBBER AND HOSE SERIES



Structure: 4 plies steel wire, intertwined by two layers, wire with special coating to guarantee the bonding capacity.

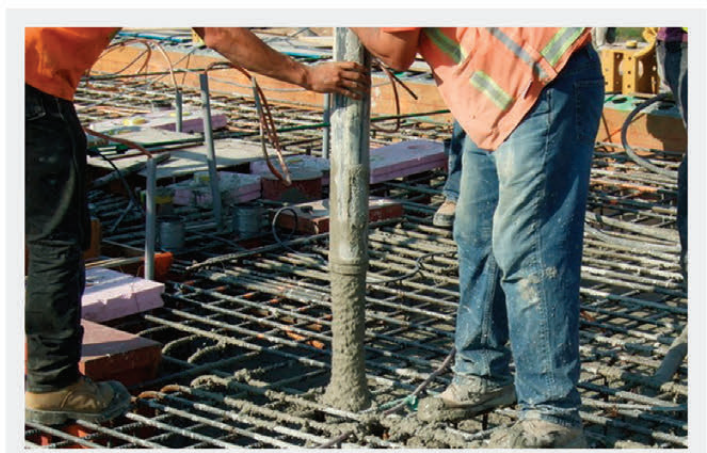
Inside rubber: friction consumes 0.1g/CM.

Flange: we use 45Mn2 as wearing layer, which strongly helps the hose life more than 15000 steer.

Data Sheet:

Size	ID	OD	Plies	Working Pressure	Burst Pressure	Weight
2"	51	71	6	800psl	2200psl	1.4 kg/m
3"	67	89	4	1200psl	3000psl	6.5 kg/m
3.5"	83	107	4	1200psl	3000psl	7 kg/m
4"	102	126	4	1200psl	3000psl	8 kg/m
4.5"	102	126	4	1200psl	3000psl	8 kg/m
5.5"	127	153	4	1200psl	3000psl	10 kg/m
6"	152	176	4	1200psl	3000psl	13 kg/m

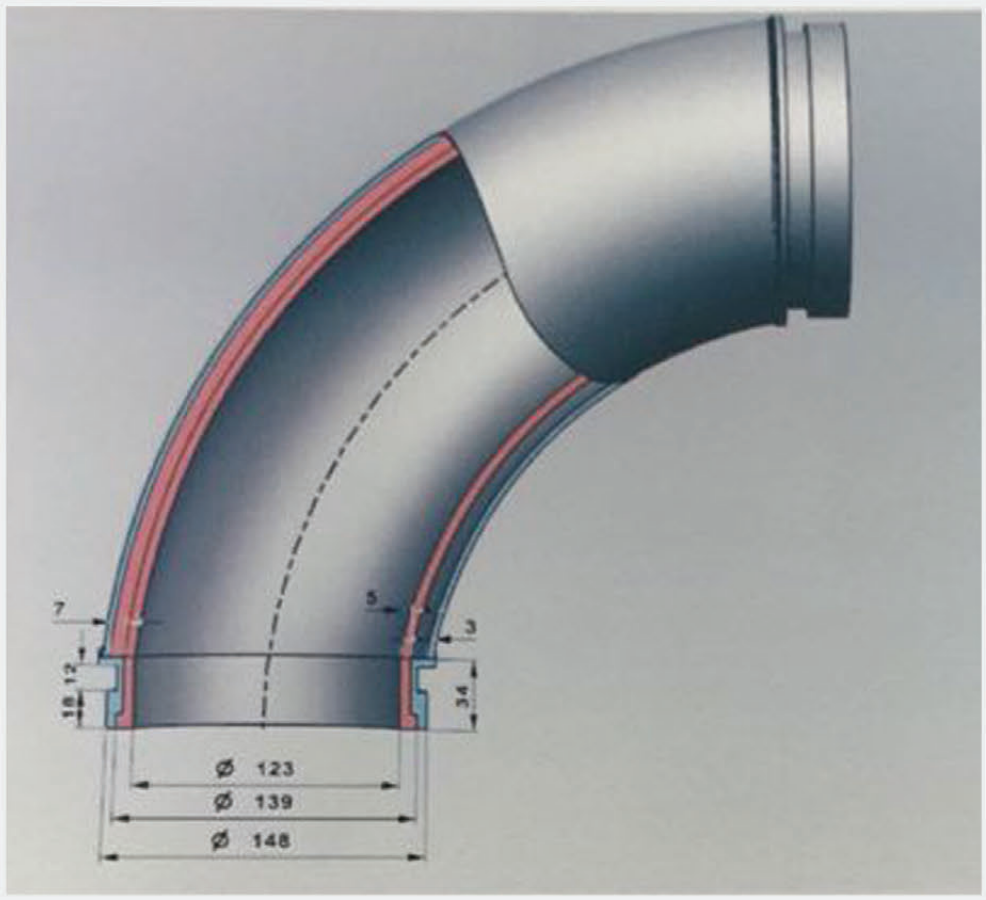
CONCRETE PUMP RUMP RUBBER AND HOSE SERIES



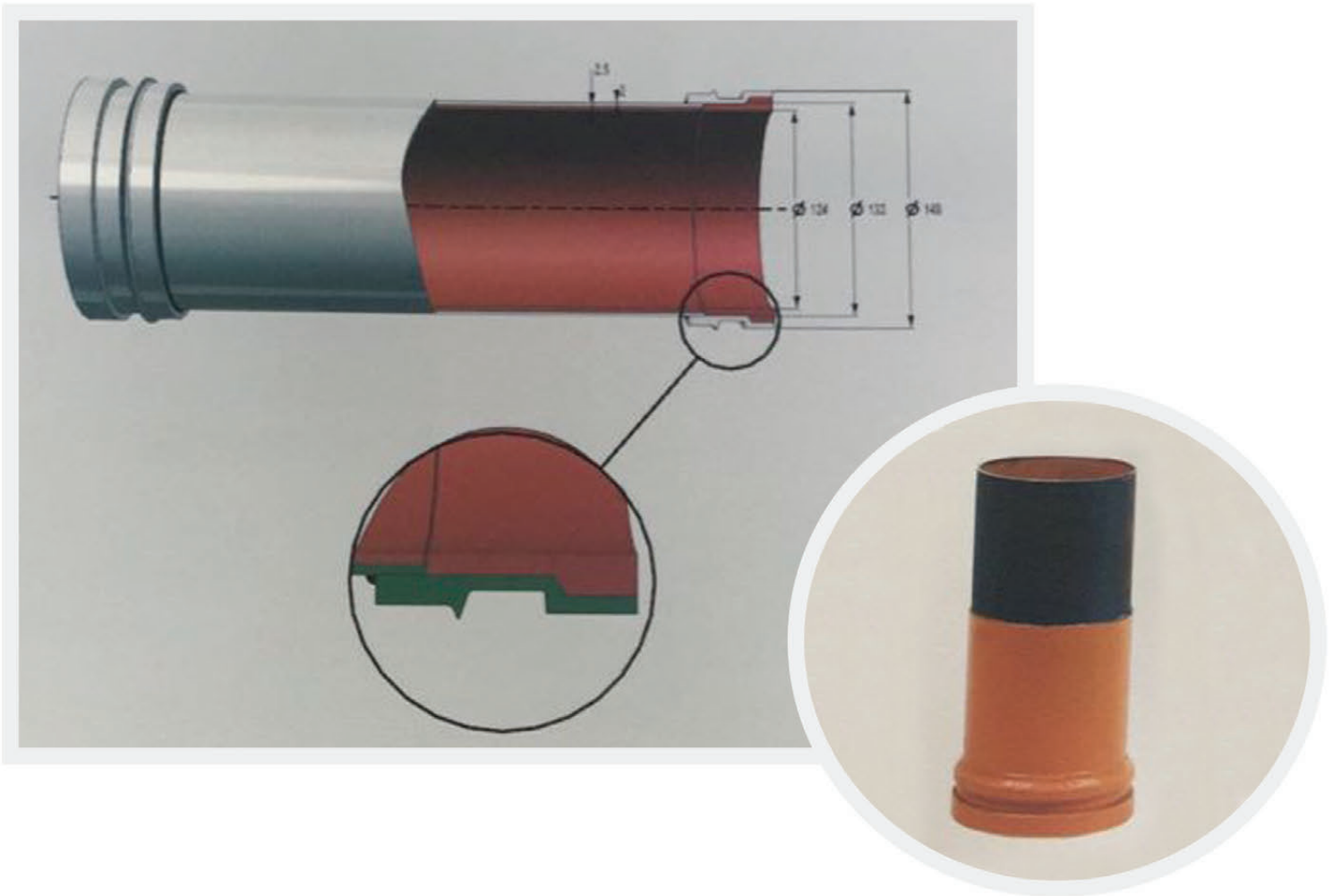
Equipment: Automatic rubber end hose manufacturing line.



CONCRETE PUMP TWIN-WALL ELBOW SERIES



CONCRETE PUMP DOUBLE STRAIGHT SERIES



Performance comparison:

Name	Structure	Specifications (mm)	Weight (KG)	Working life (m ³)
Steel pipe	Single layer	125*3000	45	6000-8000
Year-Resisting	Single layer	125*3000	45	18000-25000
Year-Resisting	Two layer	125*3000	45	40000-50000
Year-Resisting	Two layer	125*3000	50	60000-80000

CONCRETE PUMP RUBBER CLOTH-INSERTED PISTON SERIES



CONCRETE PUMP RUBBER CLOTH-INSERTED PISTON SERIES



Data Sheet:

Name	Size	ID	OD	Height
Putzmeister	Φ200	110	208	50
	Φ230	130	238	50
Zoomlion	Φ180	90	188	50
	Φ200	110	208	50
	Φ230	120	238	50
	Φ260	150	268	50
Sany	Φ200	105	208	50
	Φ230	130	238	50
	Φ260	160	268	50



AF AXXION FLEX



AF **AXXION FLEX**



USA BRAND



sales@axxionflex.com • Phone: +1 786 655 7577 U.S.A

www.axxionflex.com